



Transformer



1M000000

Catalog Number
9T10C1004G33

Type QL

75.0 KVA 60 HZ 3 PH 3.7 % IMP

40 C AMB. 115 C RISE 220 C SYSTEM IS-19C

PRIMARY (H) 480 VOLTS (LINE-LINE)
SECONDARY (X) 208 VOLTS (LINE-LINE)
120 VOLTS (LINE-NEUTRAL)

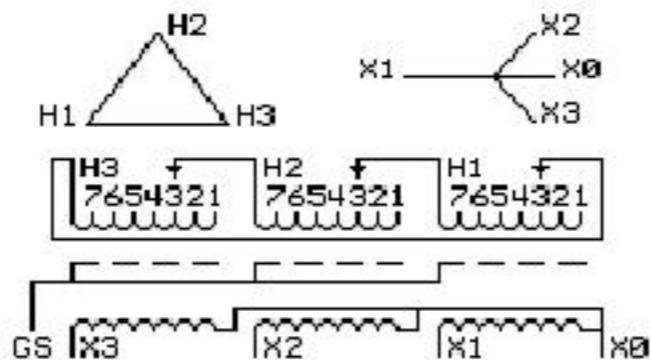
ELECTROSTATIC GROUND SHIELD IN EACH PHASE

ENCLOSURE TYPE 2 (IP20). OR RAINPROOF TYPE 3R (IP22) WHEN PROVIDED SHIELD 9T18Y1074G06

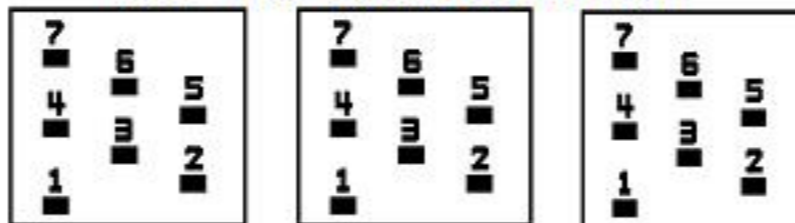
BEFORE HANDLING, INSTALLING AND OPERATING, SEE INSTRUCTION 475A667AAP001
COPPER CONDUCTOR PRIMARY: 10 KV BIL SECONDARY: 10 KV BIL

Outline:
303B111GEUXP74C

**IN ACCORDANCE WITH NEC SECTION 450-9, ALLOW AT LEAST SIX INCHES
CLEARANCE FOR VENTILATION. CHECK ADDITIONAL NEC AND LOCAL CODE**



COIL TAP ARRANGEMENT



JUMPER CONNECTION	
TAP	VOLTS
1	505
2	490
3	480
4	470
5	455
6	445
7	430

NET WGT
748 LB
339.3 Kg

60592
UX74C
NOG
031716

INSPECTION
&
FINAL TEST
N612!



LISTED 769G

Assembled in Mexico

X3 H3 X2 H2 X1 H1 -

Note: X0 at bottom

X3 H3 X2 H2 X1 H1



2M000000

X3 H3 X2 H2 X1 H1



3M000000

X0