



Transformer



1M0000000

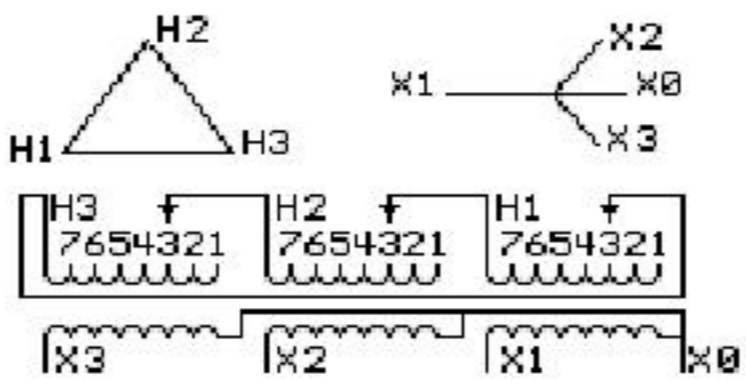
Catalog Number **9T10C1022G61** Type **QL**

30.0 KVA 60 HZ 3 PH 2.2 % IMP

40 C AMB. 80 C RISE 220 C SYSTEM IS-19C

Note: Design is based on 45.00KVA & 150C Rise 3.7% Imp.

PRIMARY (H) 480 VOLTS (LINE-LINE)
SECONDARY (X) 220 VOLTS (LINE-LINE)
127 VOLTS (LINE-NEUTRAL)



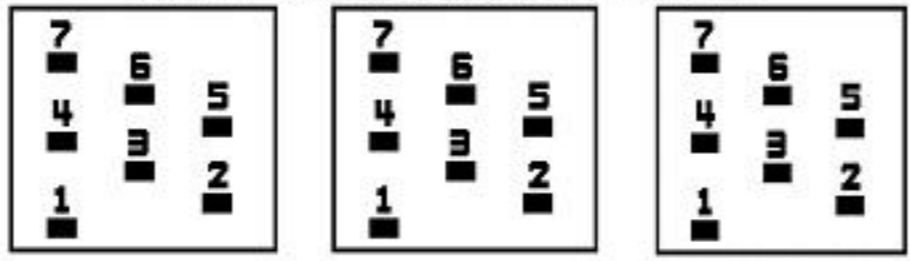
JUMPER CONNECTION	
TAP	VOLTS
1	505
2	490
3	480
4	469
5	455
6	445
7	430

NET WGT
480 LB
217.7 Kg

58819
UX73C
NOG
121715

INSPECTION
&
FINAL TEST
N551!

COIL TAP ARRANGEMENT



ENCLOSURE TYPE 2 (IP20). OR RAINPROOF TYPE 3R (IP22) WHEN PROVIDED SHIELD 9T18Y1072G06

Assembled in Mexico

BEFORE HANDLING, INSTALLING AND OPERATING, SEE INSTRUCTION 475A667AAP001 Outline:
COPPER CONDUCTOR PRIMARY: 10 KV BIL SECONDARY: 10 KV BIL 303B111GEUXP73C

X3 H3 X2 H2 X1 H1 -

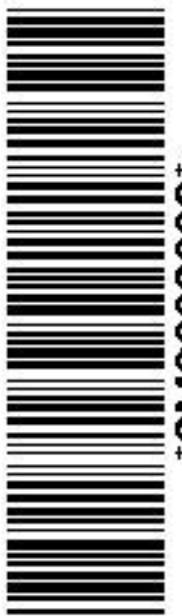
IN ACCORDANCE WITH NEC SECTION 450-9, ALLOW AT LEAST SIX INCHES CLEARANCE FOR VENTILATION. CHECK ADDITIONAL NEC AND LOCAL CODE

Note: X0 at the top

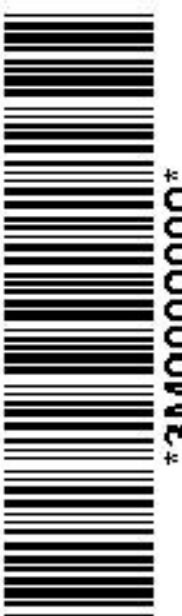
X3 H3 X2 H2 X1 H1 -

X3 H3 X2 H2 X1 H1 -

X0



2M0000000



3M0000000