



# Transformer



\*1M0000000\*

Catalog Number

9T10C1023G61

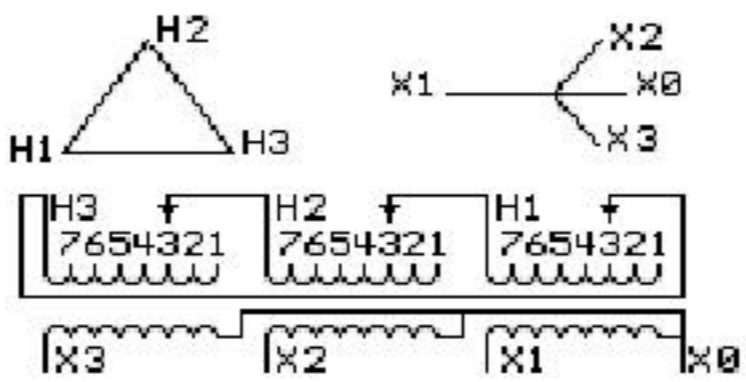
Type QL

45.0 KVA 60 HZ 3 PH 2.9 % IMP

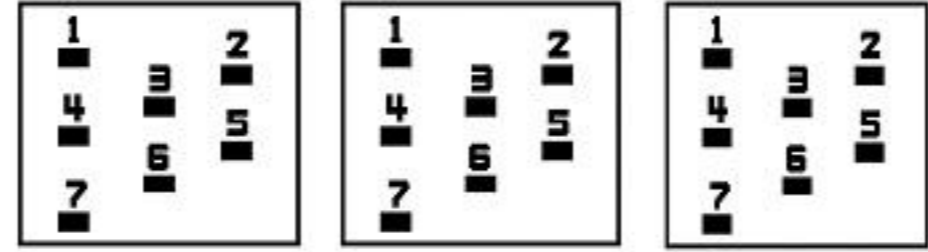
40 C AMB. 80 C RISE 220 C SYSTEM IS-19C

Note: Design is based on 75.00KVA & 150C Rise 5% Imp.

PRIMARY (H) 480 VOLTS (LINE-LINE)  
 SECONDARY (X) 220 VOLTS (LINE-LINE)  
 127 VOLTS (LINE-NEUTRAL)



### COIL TAP ARRANGEMENT



### JUMPER CONNECTION

TAP	VOLTS
1	504
2	491
3	480
4	470
5	457
6	445
7	432

NET WGT  
661 LB  
299.8 Kg

58821  
UY74C  
NOG  
121715

INSPECTION  
&  
FINAL TEST  
N551!



ENCLOSURE TYPE 2 (IP20). OR RAINPROOF TYPE 3R (IP22) WHEN PROVIDED SHIELD 9T18Y1074G06

Assembled in Mexico

BEFORE HANDLING, INSTALLING AND OPERATING, SEE INSTRUCTION 475A667AAP001 Outline:  
 COPPER CONDUCTOR PRIMARY: 10 KV BIL SECONDARY: 10 KV BIL 303B111GEUYP74C

X3 H3 X2 H2 X1 H1 -

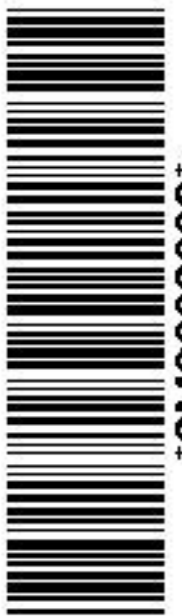
IN ACCORDANCE WITH NEC SECTION 450-9, ALLOW AT LEAST SIX INCHES CLEARANCE FOR VENTILATION. CHECK ADDITIONAL NEC AND LOCAL CODE

Note: X0 at bottom

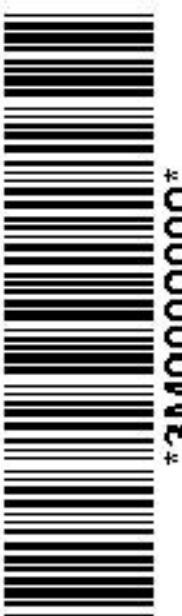
X3 H3 X2 H2 X1 H1 -

X3 H3 X2 H2 X1 H1 -

X0



\*2M0000000\*



\*3M0000000\*