



# Transformer



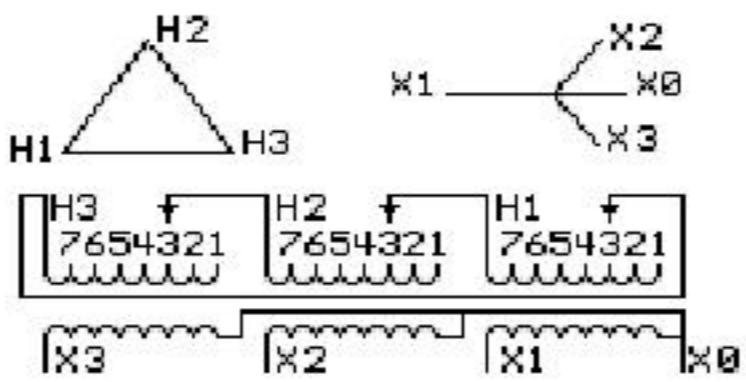
\*1M0000000\*

Catalog Number **9T10C1073** Type **QL**

**45.0 KVA 60 HZ 3 PH 3.1 % IMP**

40 C AMB. 150 C RISE 220 C SYSTEM IS-19C

PRIMARY (H) 480 VOLTS (LINE-LINE)  
SECONDARY (X) 380 VOLTS (LINE-LINE)  
219 VOLTS (LINE-NEUTRAL)



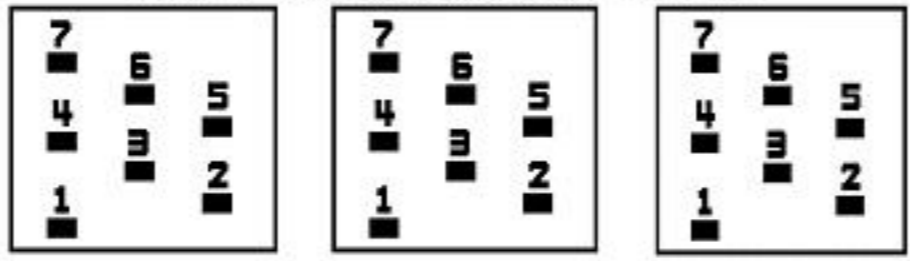
JUMPER CONNECTION TAP	VOLTS
1	504
2	493
3	480
4	468
5	457
6	442
7	432

NET WGT  
480 LB  
217.7 Kg

58729  
UX73C  
NOG  
121415

INSPECTION & FINAL TEST N551!

### COIL TAP ARRANGEMENT



ENCLOSURE TYPE 2 (IP20) OR RAINPROOF TYPE 3R (IP22) WHEN PROVIDED SHIELD 9T18Y1072G06

Assembled in Mexico

BEFORE HANDLING, INSTALLING AND OPERATING, SEE INSTRUCTION 475A667AAP001  
COPPER CONDUCTOR PRIMARY: 10 KV BIL SECONDARY: 10 KV BIL Outline: 303B111GEUXP73C

X3 H3 X2 H2 X1 H1 -

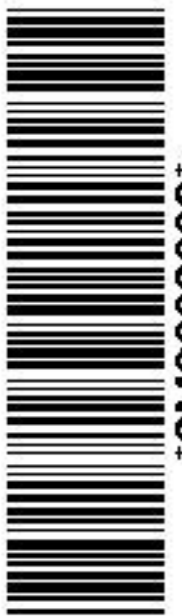
IN ACCORDANCE WITH NEC SECTION 450-9, ALLOW AT LEAST SIX INCHES CLEARANCE FOR VENTILATION. CHECK ADDITIONAL NEC AND LOCAL CODE

Note: X0 at the top

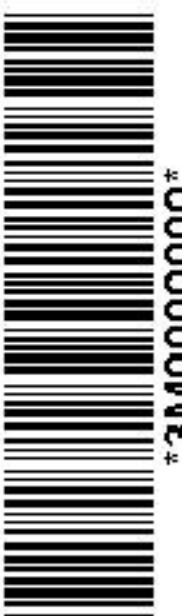
X3 H3 X2 H2 X1 H1

X3 H3 X2 H2 X1 H1

X0



\*2M0000000\*



\*3M0000000\*