



Transformer



1M0000000

Catalog Number

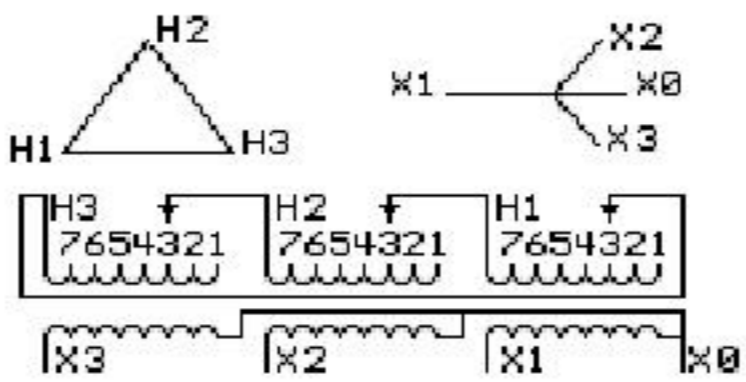
9T10C1084

Type QL

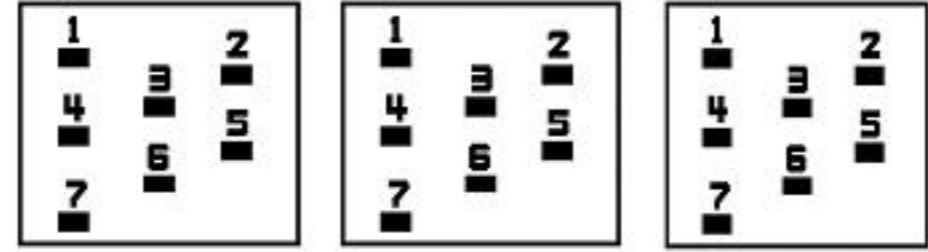
75.0 KVA 60 HZ 3 PH 4.1 % IMP

40 C AMB. 150 C RISE 220 C SYSTEM IS-19C

PRIMARY (H) 480 VOLTS (LINE-LINE)
SECONDARY (X) 400 VOLTS (LINE-LINE)
231 VOLTS (LINE-NEUTRAL)



COIL TAP ARRANGEMENT



JUMPER CONNECTION

TAP	VOLTS
1	502
2	493
3	480
4	466
5	457
6	444
7	431

NET WGT
661 LB
299.8 Kg

58824
UY74C
NOG
121715

INSPECTION
&
FINAL TEST
N551!



ENCLOSURE TYPE 2 (IP20) OR RAINPROOF TYPE 3R (IP22) WHEN PROVIDED SHIELD 9T18Y1074G06

Assembled in Mexico

BEFORE HANDLING, INSTALLING AND OPERATING, SEE INSTRUCTION 475A667AAP001
COPPER CONDUCTOR PRIMARY: 10 KV BIL SECONDARY: 10 KV BIL Outline: 303B111GEUYP74C

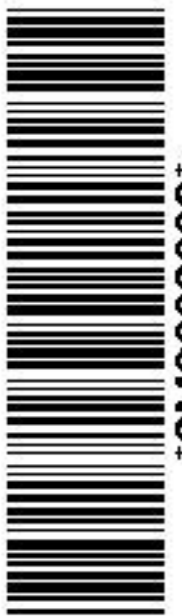
IN ACCORDANCE WITH NEC SECTION 450-9, ALLOW AT LEAST SIX INCHES CLEARANCE FOR VENTILATION. CHECK ADDITIONAL NEC AND LOCAL CODE

X3 H3 X2 H2 X1 H1 -

- - - - -

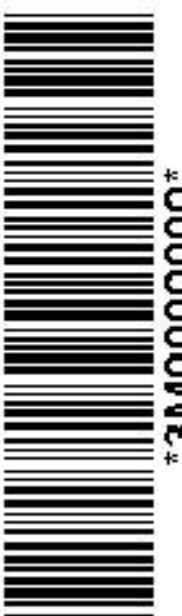
Note: X0 at bottom

X3 H3 X2 H2 X1 H1



2M0000000

X3 H3 X2 H2 X1 H1



3M0000000

X0