



Transformer



1M0000000

Catalog Number
9T10C1171G31

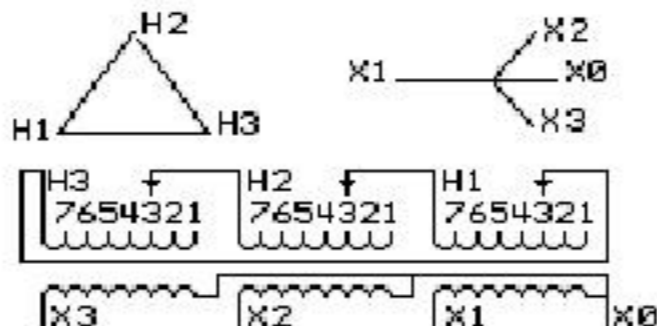
Type **QL**

15.0 KVA 60 HZ 3 PH 4.4 % IMP

40 C AMB. 115 C RISE 220 C SYSTEM IS-19C

Note: Design is based on 15.00KVA & 150C Rise 4.7% Imp.

PRIMARY (H) 480 VOLTS (LINE-LINE)
SECONDARY (X) 480 VOLTS (LINE-LINE)
277 VOLTS (LINE-NEUTRAL)



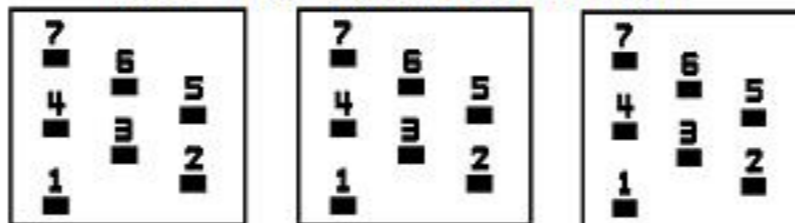
JUMPER CONNECTION	
TAP	VOLTS
1	505
2	493
3	480
4	467
5	455
6	443
7	432

NET WGT
230 LB
104.3 Kg

60514
UX71C
NOG
030316

INSPECTION
&
FINAL TEST
N610!

COIL TAP ARRANGEMENT



LISTED 769G

ENCLOSURE TYPE 2 (IP20). OR RAINPROOF TYPE 3R (IP22) WHEN PROVIDED SHIELD 9T18Y1071G06

Assembled in Mexico

BEFORE HANDLING, INSTALLING AND OPERATING, SEE INSTRUCTION 475A667AAP001
COPPER CONDUCTOR PRIMARY: 10 KV BIL SECONDARY: 10 KV BIL

Outline:
303B111GEUXP71C

X3 H3 X2 H2 X1 H1 X0

**IN ACCORDANCE WITH NEC SECTION 450-9, ALLOW AT LEAST SIX INCHES
CLEARANCE FOR VENTILATION. CHECK ADDITIONAL NEC AND LOCAL CODE**

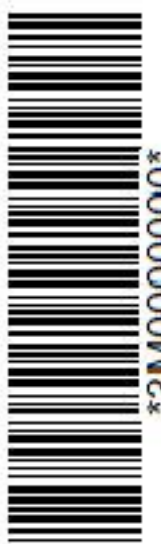
Note: standard

X0
X1
X2
X3



2M0000000

X0
X1
X2
X3



3M0000000