



Transformer



1M0000000

Catalog Number

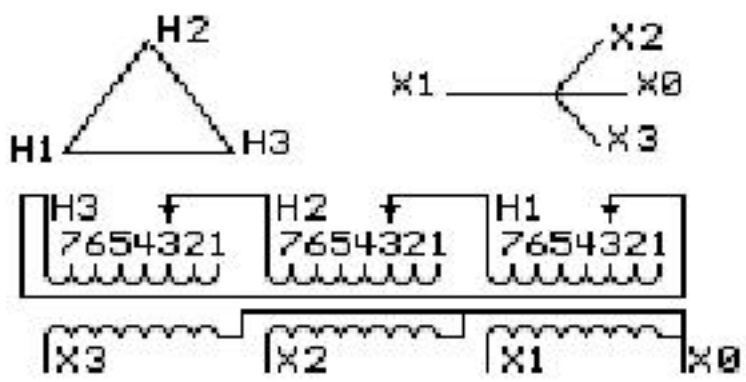
9T10C1172G61

Type QL

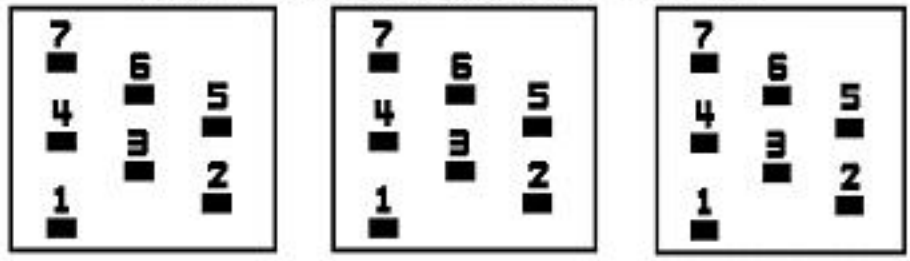
30.0 KVA 60 HZ 3 PH 2.1 % IMP

40 C AMB. 80 C RISE 220 C SYSTEM IS-19C
Note: Design is based on 45.00KVA & 150C Rise 3.4% Imp.

PRIMARY (H) 480 VOLTS (LINE-LINE)
SECONDARY (X) 480 VOLTS (LINE-LINE)
277 VOLTS (LINE-NEUTRAL)



COIL TAP ARRANGEMENT



JUMPER CONNECTION TAP	VOLTS
1	505
2	490
3	480
4	469
5	455
6	444
7	433

NET WGT
480 LB
217.7 Kg

58675
UX73C
NOG
121315

INSPECTION & FINAL TEST N551!



ENCLOSURE TYPE 2 (IP20). OR RAINPROOF TYPE 3R (IP22) WHEN PROVIDED SHIELD 9T18Y1072G06

Assembled in Mexico

BEFORE HANDLING, INSTALLING AND OPERATING, SEE INSTRUCTION 475A667AAP001
COPPER CONDUCTOR PRIMARY: 10 KV BIL SECONDARY: 10 KV BIL Outline: 303B111GEUXP73C

IN ACCORDANCE WITH NEC SECTION 450-9, ALLOW AT LEAST SIX INCHES CLEARANCE FOR VENTILATION. CHECK ADDITIONAL NEC AND LOCAL CODE

X3 H3 X2 H2 X1 H1 -

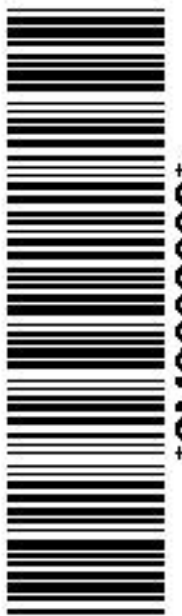
- - - - -

Note: X0 at the top

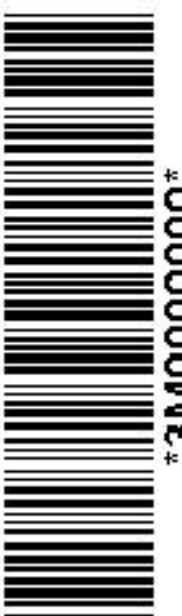
X3 H3 X2 H2 X1 H1

X3 H3 X2 H2 X1 H1

X0



2M0000000



3M0000000