



Transformer



1M000000

Catalog Number

Type QL

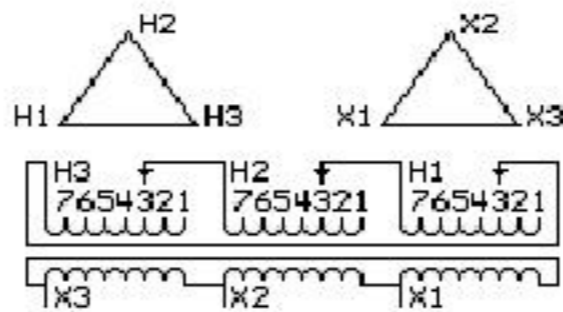
9T10C1191

15.0 KVA 60 HZ 3 PH 4.2 % IMP

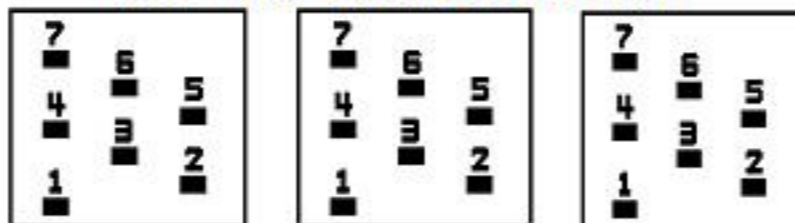
40 C AMB. 150 C RISE 220 C SYSTEM IS-19C

PRIMARY (H) 480 VOLTS (LINE-LINE)

SECONDARY (X) 240 VOLTS (LINE-LINE)



COIL TAP ARRANGEMENT



JUMPER CONNECTION	
TAP	VOLTS
1	504
2	492
3	480
4	468
5	456
6	444
7	432

NET WGT
230 LB
104.3 Kg

60789
UX71C
NOG
040116

INSPECTION
&
FINAL TEST
N614!



LISTED 769G

Assembled in Mexico

ENCLOSURE TYPE 2 (IP20). OR RAINPROOF TYPE 3R (IP22) WHEN PROVIDED SHIELD 9T18Y1071G06

BEFORE HANDLING, INSTALLING AND OPERATING, SEE INSTRUCTION 475A667AAP001
COPPER CONDUCTOR PRIMARY: 10 KV BIL SECONDARY: 10 KV BIL

Outline:
303B111GEUXP71C

IN ACCORDANCE WITH NEC SECTION 450-9, ALLOW AT LEAST SIX INCHES
CLEARANCE FOR VENTILATION. CHECK ADDITIONAL NEC AND LOCAL CODE

X3 H3 X2 H2 X1 H1 -

Note: standard

X3 H3 X2 H2 X1 H1

X3 H3 X2 H2 X1 H1



2M000000



3M000000