



Transformer



1M000000

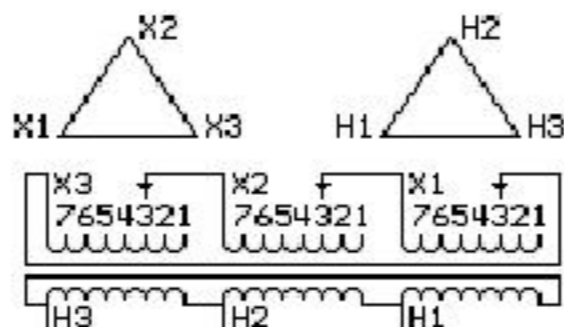
Catalog Number
9T10C1312G61

Type **QL**

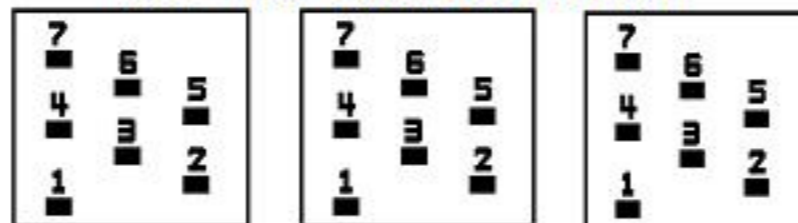
30.0 KVA 60 HZ 3 PH 1.8 % IMP

40 C AMB. 80 C RISE 220 C SYSTEM IS-19C

PRIMARY (X) 208 VOLTS (LINE-LINE)
SECONDARY (H) 240 VOLTS (LINE-LINE)



COIL TAP ARRANGEMENT



JUMPER CONNECTION	
TAP	VOLTS
1	218
2	215
3	208
4	204
5	196
6	193
7	185

NET WGT
480 LB
217.7 Kg

60525
UK73C
NOG
030416

INSPECTION
&
FINAL TEST
N610!



LISTED 769G

Assembled in Mexico

ENCLOSURE TYPE 2 (IP20). OR RAINPROOF TYPE 3R (IP22) WHEN PROVIDED SHIELD 9T18Y1072G06

BEFORE HANDLING, INSTALLING AND OPERATING, SEE INSTRUCTION 475A667AAP001
COPPER CONDUCTOR PRIMARY: 10 KV BIL SECONDARY: 10 KV BIL

Outline:
303B111GEUXP73C

**IN ACCORDANCE WITH NEC SECTION 450-9, ALLOW AT LEAST SIX INCHES
CLEARANCE FOR VENTILATION. CHECK ADDITIONAL NEC AND LOCAL CODE**

H3 X3 H2 X2 H1 X1 -

Note: standard

H3 X3 H2 X2 H1 X1

H3 X3 H2 X2 H1 X1



2M000000



3M000000