



# Transformer



\*1M0000000\*

Catalog Number  
**9T10C1344G31**

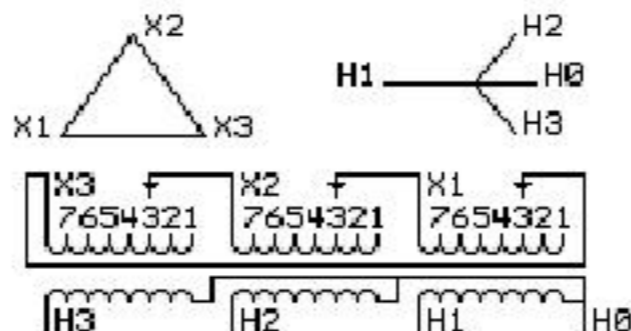
Type **QL**

**75.0 KVA 60 HZ 3 PH 4.1 % IMP**

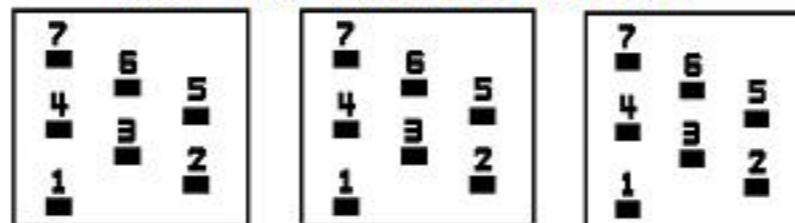
40 C AMB. 115 C RISE 220 C SYSTEM IS-19C

Note: Design is based on 75.00KVA & 150C Rise 4.2% Imp.

PRIMARY (X) 208 VOLTS (LINE-LINE)  
SECONDARY (H) 480 VOLTS (LINE-LINE)  
277 VOLTS (LINE-NEUTRAL)



### COIL TAP ARRANGEMENT



JUMPER CONNECTION	
TAP	VOLTS
1	218
2	213
3	208
4	203
5	198
6	193
7	188

NET WGT  
748 LB  
339.3 Kg

60414  
UX74C

NOG  
022216

INSPECTION  
&  
FINAL TEST  
N609!



ENCLOSURE TYPE 2 (IP20). OR RAINPROOF TYPE 3R (IP22) WHEN PROVIDED SHIELD 9T18Y1074G06

Assembled in Mexico

BEFORE HANDLING, INSTALLING AND OPERATING, SEE INSTRUCTION 475A667AAP001  
COPPER CONDUCTOR PRIMARY: 10 KV BIL SECONDARY: 10 KV BIL

Outline:  
303B111GEUXP74C

**IN ACCORDANCE WITH NEC SECTION 450-9, ALLOW AT LEAST SIX INCHES  
CLEARANCE FOR VENTILATION. CHECK ADDITIONAL NEC AND LOCAL CODE**

**H3 X3 H2 X2 H1 X1 -**

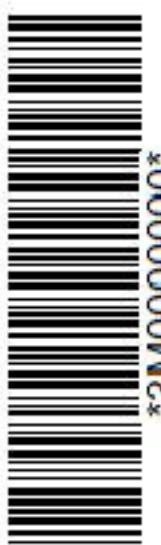
Note: H0 at bottom

H3 X3 H2 X2 H1 X1



\*2M0000000\*

H3 X3 H2 X2 H1 X1



\*3M0000000\*

H0