



Transformer



1M0000000

Catalog Number

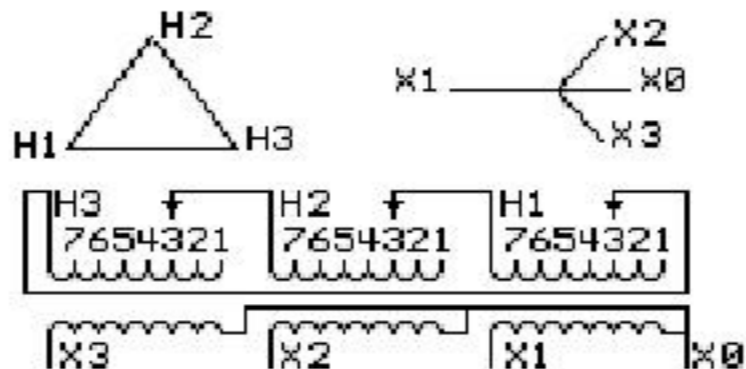
9T10C1451

Type QL

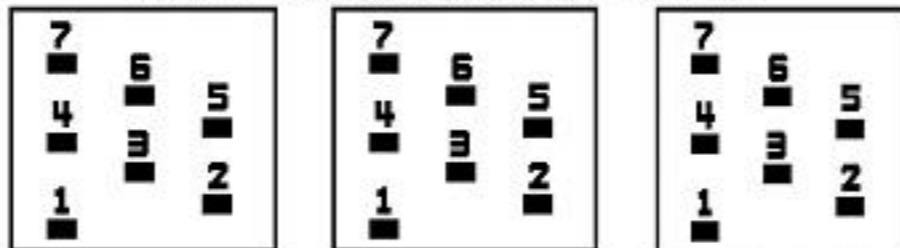
15.0 KVA 60 HZ 3 PH 3.7 % IMP

40 C AMB. 150 C RISE 220 C SYSTEM IS-19C

PRIMARY (H) 208 VOLTS (LINE-LINE)
SECONDARY (X) 208 VOLTS (LINE-LINE)
120 VOLTS (LINE-NEUTRAL)



COIL TAP ARRANGEMENT



JUMPER CONNECTION	
TAP	VOLTS
1	218
2	214
3	208
4	202
5	198
6	192
7	188

NET WGT
230 LB
104.3 Kg

58949

UX71C

NOG

010516

INSPECTION
&
FINAL TEST
N602!



ENCLOSURE TYPE 2 (IP20). OR RAINPROOF TYPE 3R (IP22) WHEN PROVIDED SHIELD 9T18Y1071G06

Assembled in Mexico

BEFORE HANDLING, INSTALLING AND OPERATING, SEE INSTRUCTION 475A667AAP001

Outline:

COPPER CONDUCTOR

PRIMARY: 10 KV BIL

SECONDARY: 10 KV BIL

303B111GEUXP71C

IN ACCORDANCE WITH NEC SECTION 450-9, ALLOW AT LEAST SIX INCHES
CLEARANCE FOR VENTILATION. CHECK ADDITIONAL NEC AND LOCAL CODE

X3 H3 X2 H2 X1 H1 X0

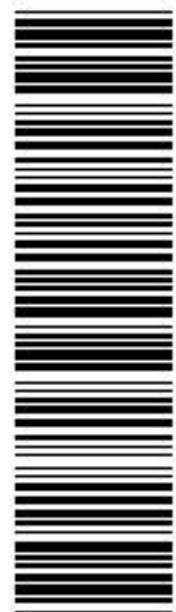
- - - - -

Note: standard

X0
X1
H1
-
X2
H2
X1
H1
-
X3
H3
X2
H2
X1
H1
-

X0

X3 H3 X2 H2 X1 H1



2M0000000



3M0000000