



# Transformer



\*1M000000\*

X0  
X1 H1  
X2 H2  
X3 H3

X0  
X1 H1  
X2 H2  
X3 H3

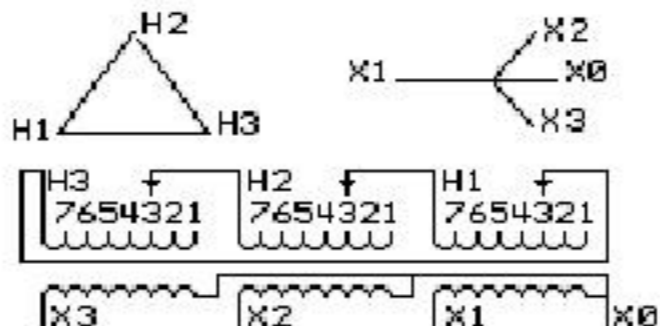
Catalog Number

9T10C1452

Type QL

30.0 KVA 60 HZ 3 PH 4.1 % IMP

40 C AMB. 150 C RISE 220 C SYSTEM IS-19C



JUMPER CONNECTION	
TAP	VOLTS
1	217
2	212
3	208
4	202
5	197
6	192
7	187

NET WGT  
353 LB  
160.1 Kg

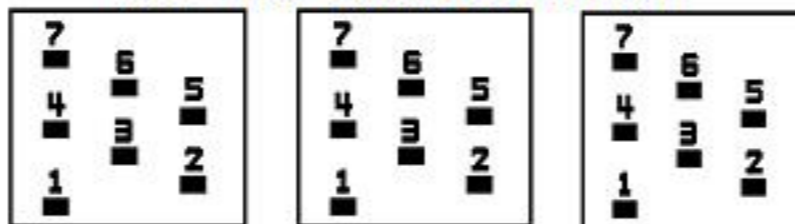
60676  
UK72C

NOG  
032816

INSPECTION  
&  
FINAL TEST  
N614!

PRIMARY (H) 208 VOLTS (LINE-LINE)  
 SECONDARY (X) 208 VOLTS (LINE-LINE)  
 120 VOLTS (LINE-NEUTRAL)

### COIL TAP ARRANGEMENT



ENCLOSURE TYPE 2 (IP20). OR RAINPROOF TYPE 3R (IP22) WHEN PROVIDED SHIELD 9T18Y1072G06

Assembled in Mexico

BEFORE HANDLING, INSTALLING AND OPERATING, SEE INSTRUCTION 475A667AAP001  
COPPER CONDUCTOR PRIMARY: 10 KV BIL SECONDARY: 10 KV BIL

Outline:  
303B111GEUXP72C

X3 H3 X2 H2 X1 H1 X0

IN ACCORDANCE WITH NEC SECTION 450-9, ALLOW AT LEAST SIX INCHES  
CLEARANCE FOR VENTILATION. CHECK ADDITIONAL NEC AND LOCAL CODE

Note: standard



\*2M000000\*



\*3M000000\*