



Transformer



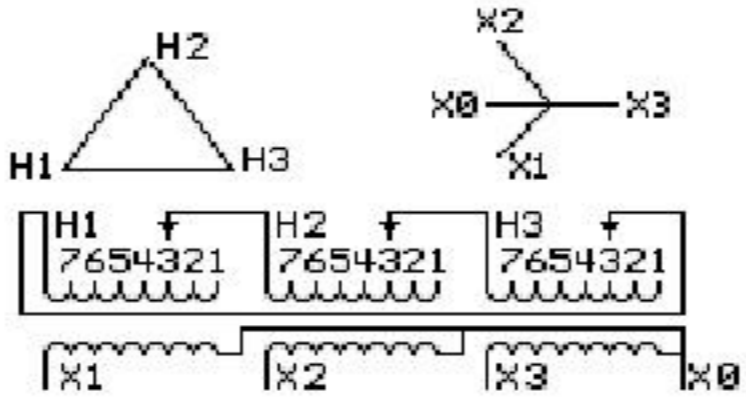
1M0000000

Catalog Number **9T10C1764G07** Type **QL**

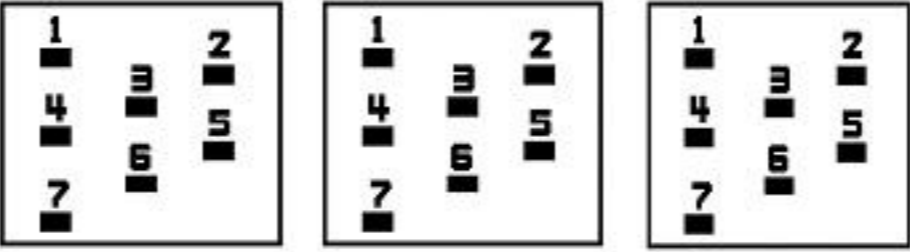
75.0 KVA 60 HZ 3 PH 5% IMP

40 C AMB. 150 C RISE 220 C SYSTEM IS-19C

PRIMARY (H) 380 VOLTS (LINE-LINE)
SECONDARY (X) 220 VOLTS (LINE-LINE)
127 VOLTS (LINE-NEUTRAL)



COIL TAP ARRANGEMENT



| JUMPER CONNECTION TAP | VOLTS |
|-----------------------|-------|
| 1 | 398 |
| 2 | 390 |
| 3 | 380 |
| 4 | 373 |
| 5 | 360 |
| 6 | 351 |
| 7 | 343 |

NET WGT
661 LB
299.8 Kg

58837
UY74C
NOG
121715

INSPECTION & FINAL TEST N551!



ENCLOSURE TYPE 2 (IP20). OR RAINPROOF TYPE 3R (IP22) WHEN PROVIDED SHIELD 9T18Y1074G06

Assembled in Mexico

BEFORE HANDLING, INSTALLING AND OPERATING, SEE INSTRUCTION 475A667AAP001
COPPER CONDUCTOR PRIMARY: 10 KV BIL SECONDARY: 10 KV BIL Outline: 303B111GEUYP74C

X3 H3 X2 H2 X1 H1 -

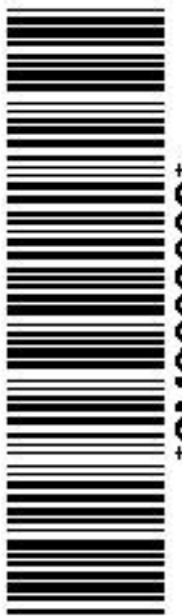
IN ACCORDANCE WITH NEC SECTION 450-9, ALLOW AT LEAST SIX INCHES CLEARANCE FOR VENTILATION. CHECK ADDITIONAL NEC AND LOCAL CODE

Note: X0 at bottom

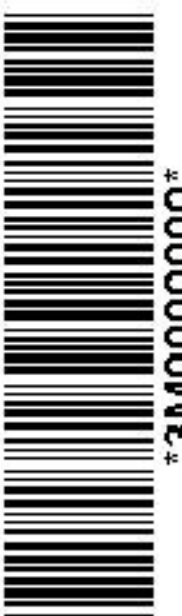
X3 H3 X2 H2 X1 H1 -

X3 H3 X2 H2 X1 H1 -

X0



2M0000000



3M0000000