



Transformer



1M000000

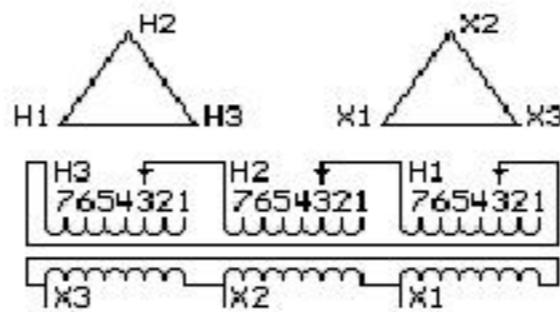
Catalog Number
9T10C1781G31

Type **QL**

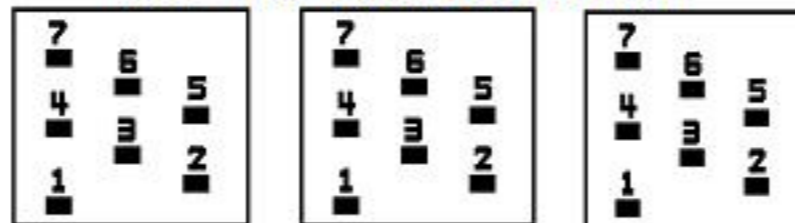
15.0 KVA 60 HZ 3 PH 3.9 % IMP

40 C AMB. 115 C RISE 220 C SYSTEM IS-19C

PRIMARY (H) 380 VOLTS (LINE-LINE)
SECONDARY (X) 220 VOLTS (LINE-LINE)



COIL TAP ARRANGEMENT



JUMPER CONNECTION	
TAP	VOLTS
1	400
2	390
3	380
4	370
5	360
6	352
7	342

NET WGT
230 LB
104.3 Kg

605E2
UX71C
NOG
030916

INSPECTION
&
FINAL TEST
N611!



LISTED 769G

Assembled in Mexico

X3 H3 X2 H2 X1 H1 -

Note: standard

ENCLOSURE TYPE 2 (IP20). OR RAINPROOF TYPE 3R (IP22) WHEN PROVIDED SHIELD 9T18Y1071G06

BEFORE HANDLING, INSTALLING AND OPERATING, SEE INSTRUCTION 475A667AAP001 Outline:
COPPER CONDUCTOR PRIMARY: 10 KV BIL SECONDARY: 10 KV BIL 303B111GEUXP71C

**IN ACCORDANCE WITH NEC SECTION 450-9, ALLOW AT LEAST SIX INCHES
CLEARANCE FOR VENTILATION. CHECK ADDITIONAL NEC AND LOCAL CODE**

GE Energy Industrial Solutions

NEMA CLASS AA DRY TYPE TRANSFORMER

Meets DOE 2016 efficiency

X3 H3 X2 H2 X1 H1

X3 H3 X2 H2 X1 H1



2M000000



3M000000