



# Transformer



\*1M000000\*

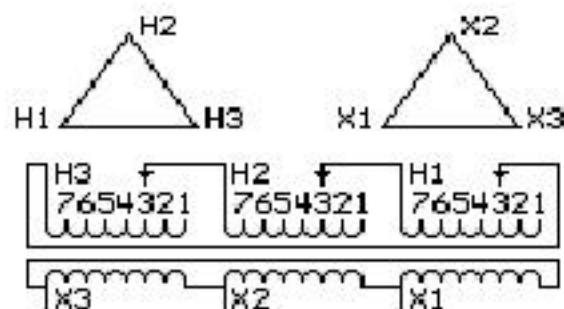
Catalog Number  
**9T10C1782G31**

Type **QL**

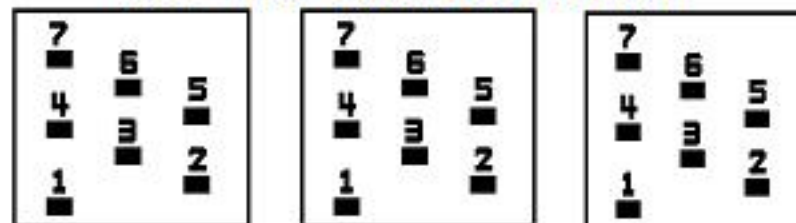
**30.0 KVA 60 HZ 3 PH 3.6 % IMP**

40 C AMB. 115 C RISE 220 C SYSTEM IS-19C

PRIMARY (H) 380 VOLTS (LINE-LINE)  
SECONDARY (X) 220 VOLTS (LINE-LINE)



### COIL TAP ARRANGEMENT



JUMPER CONNECTION	
TAP	VOLTS
1	399
2	389
3	380
4	371
5	361
6	350
7	343

NET WGT  
353 LB  
160.1 Kg

60677  
UK72C  
NOG  
032816

INSPECTION  
&  
FINAL TEST  
N614!



LISTED 769G

Assembled in Mexico

ENCLOSURE TYPE 2 (IP20). OR RAINPROOF TYPE 3R (IP22) WHEN PROVIDED SHIELD 9T18Y1072G06

BEFORE HANDLING, INSTALLING AND OPERATING, SEE INSTRUCTION 475A667AAP001 Outline:  
COPPER CONDUCTOR PRIMARY: 10 KV BIL SECONDARY: 10 KV BIL 303B111GEUXP72C

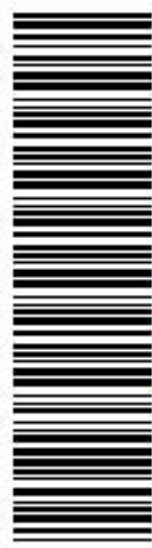
**IN ACCORDANCE WITH NEC SECTION 450-9, ALLOW AT LEAST SIX INCHES CLEARANCE FOR VENTILATION. CHECK ADDITIONAL NEC AND LOCAL CODE**

**X3 H3 X2 H2 X1 H1 -**

Note: standard

X3 H3 X2 H2 X1 H1

X3 H3 X2 H2 X1 H1



\*2M000000\*



\*3M000000\*