



Transformer



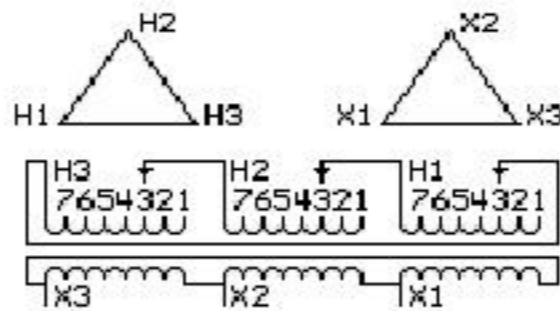
1M0000000

Catalog Number
9T10C1783G31

Type **QL**

45.0 KVA 60 HZ 3 PH 3.6 % IMP

40 C AMB. 115 C RISE 220 C SYSTEM IS-19C



JUMPER CONNECTION	
TAP	VOLTS
1	400
2	390
3	380
4	371
5	361
6	350
7	343

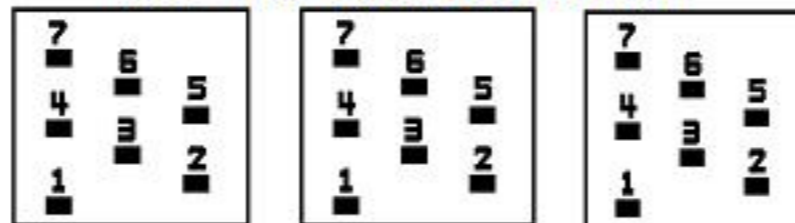
NET WGT
480 LB
217.7 Kg

605E4
UX73C
NOG
030916

INSPECTION
&
FINAL TEST
N611!

PRIMARY (H) 380 VOLTS (LINE-LINE)
SECONDARY (X) 220 VOLTS (LINE-LINE)

COIL TAP ARRANGEMENT



ENCLOSURE TYPE 2 (IP20). OR RAINPROOF TYPE 3R (IP22) WHEN PROVIDED SHIELD 9T18Y1072G06

Assembled in Mexico

BEFORE HANDLING, INSTALLING AND OPERATING, SEE INSTRUCTION 475A667AAP001
COPPER CONDUCTOR PRIMARY: 10 KV BIL SECONDARY: 10 KV BIL

Outline:
303B111GEUXP73C

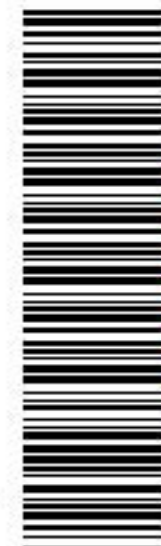
**IN ACCORDANCE WITH NEC SECTION 450-9, ALLOW AT LEAST SIX INCHES
CLEARANCE FOR VENTILATION. CHECK ADDITIONAL NEC AND LOCAL CODE**

X3 H3 X2 H2 X1 H1 -

Note: standard

X3 H3 X2 H2 X1 H1

X3 H3 X2 H2 X1 H1



2M0000000



3M0000000