



Transformer



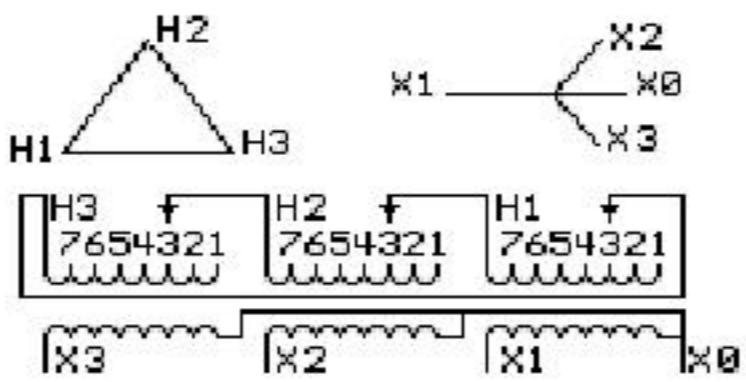
1M0000000

Catalog Number **9T10C1854** Type **QL**

75.0 KVA 60 HZ 3 PH 4.2 % IMP

40 C AMB. 150 C RISE 220 C SYSTEM IS-19C

PRIMARY (H) 380 VOLTS (LINE-LINE)
SECONDARY (X) 380 VOLTS (LINE-LINE)
219 VOLTS (LINE-NEUTRAL)



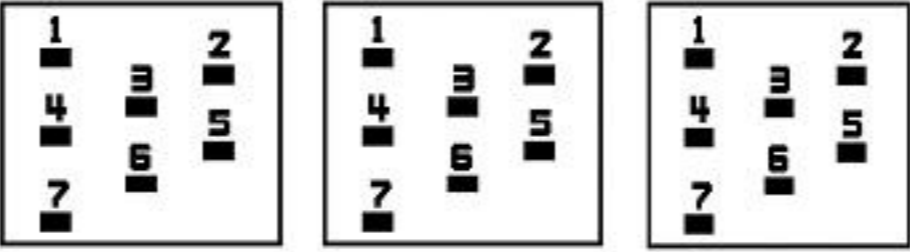
JUMPER CONNECTION	
TAP	VOLTS
1	399
2	391
3	380
4	369
5	360
6	351
7	342

NET WGT
661 LB
299.8 Kg

58841
UY74C
NOG
121715

INSPECTION
&
FINAL TEST
N551!

COIL TAP ARRANGEMENT



ENCLOSURE TYPE 2 (IP20). OR RAINPROOF TYPE 3R (IP22) WHEN PROVIDED SHIELD 9T18Y1074G06

Assembled in Mexico

BEFORE HANDLING, INSTALLING AND OPERATING, SEE INSTRUCTION 475A667AAP001 Outline:
COPPER CONDUCTOR PRIMARY: 10 KV BIL SECONDARY: 10 KV BIL 303B111GEUYP74C

X3 H3 X2 H2 X1 H1 -

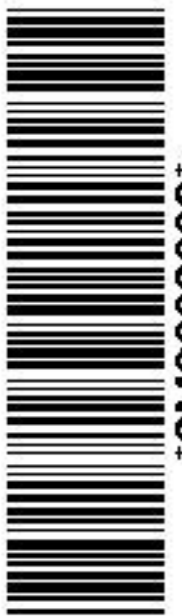
IN ACCORDANCE WITH NEC SECTION 450-9, ALLOW AT LEAST SIX INCHES CLEARANCE FOR VENTILATION. CHECK ADDITIONAL NEC AND LOCAL CODE

Note: X0 at bottom

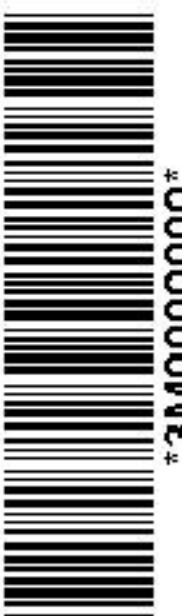
X3 H3 X2 H2 X1 H1 -

X3 H3 X2 H2 X1 H1 -

X0



2M0000000



3M0000000