



Transformer



1M0000000

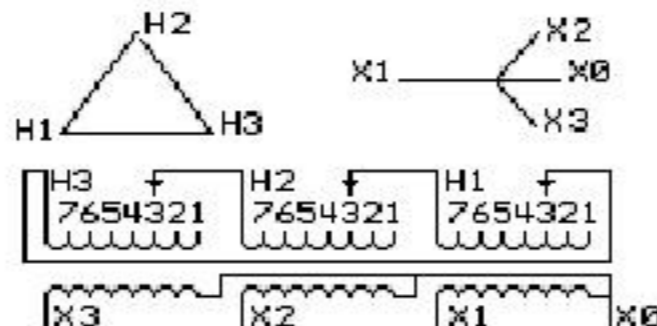
Catalog Number

9T10C1864

Type QL

75.0 KVA 60 HZ 3 PH 4.9 % IMP

40 C AMB. 150 C RISE 220 C SYSTEM IS-19C



JUMPER CONNECTION	
TAP	VOLTS
1	398
2	390
3	380
4	368
5	360
6	351
7	343

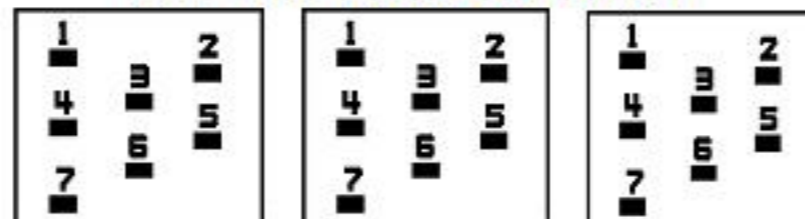
NET WGT
661 LB
299.8 Kg

60801
UY74C
NOG
040416

INSPECTION
&
FINAL TEST
N615!

PRIMARY (H) 380 VOLTS (LINE-LINE)
 SECONDARY (X) 230 VOLTS (LINE-LINE)
 133 VOLTS (LINE-NEUTRAL)

COIL TAP ARRANGEMENT



ENCLOSURE TYPE 2 (IP20). OR RAINPROOF TYPE 3R (IP22) WHEN PROVIDED SHIELD 9T18Y1074G06

Assembled in Mexico

BEFORE HANDLING, INSTALLING AND OPERATING, SEE INSTRUCTION 475A667AAP001
COPPER CONDUCTOR PRIMARY: 10 KV BIL SECONDARY: 10 KV BIL

Outline:
303B111GEUY74C

IN ACCORDANCE WITH NEC SECTION 450-9, ALLOW AT LEAST SIX INCHES
CLEARANCE FOR VENTILATION. CHECK ADDITIONAL NEC AND LOCAL CODE

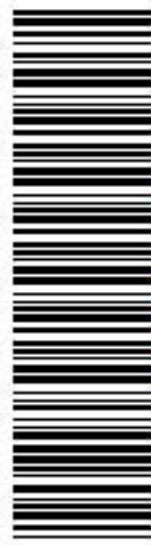
X3 H3 X2 H2 X1 H1 -

Note: X0 at bottom

X3 H3 X2 H2 X1 H1

X3 H3 X2 H2 X1 H1

X0



2M0000000



3M0000000