



Transformer



1M0000000

Catalog Number

9T10S1002

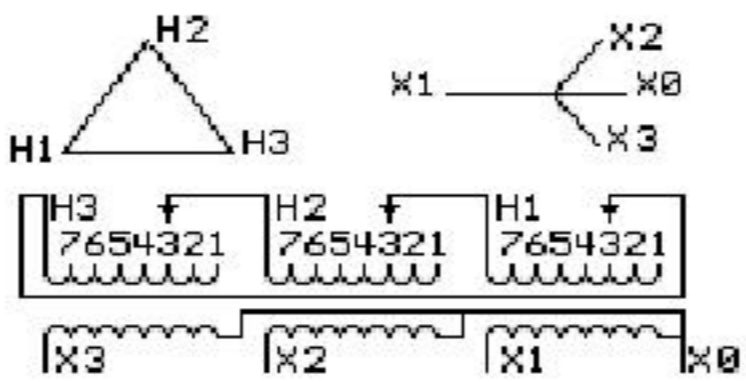
Type QL

30.0 KVA 60 HZ 3 PH 5.1 % IMP

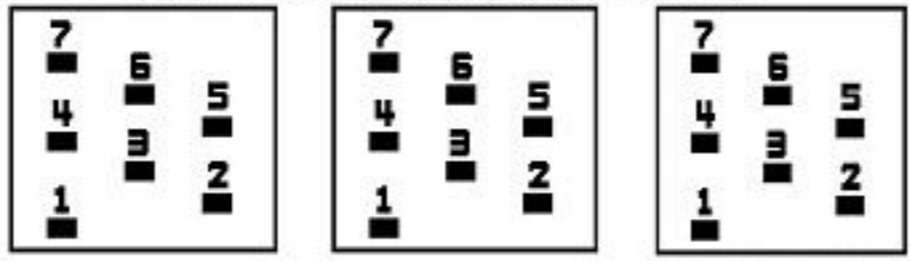
40 C AMB. 150 C RISE 220 C SYSTEM IS-19C

Note: Design is based on 30.00KVA & 115C Rise 4.9% Imp.

PRIMARY (H) 480 VOLTS (LINE-LINE)
SECONDARY (X) 208 VOLTS (LINE-LINE)
120 VOLTS (LINE-NEUTRAL)



COIL TAP ARRANGEMENT



| JUMPER CONNECTION TAP | VOLTS |
|-----------------------|-------|
| 1 | 504 |
| 2 | 492 |
| 3 | 480 |
| 4 | 468 |
| 5 | 456 |
| 6 | 444 |
| 7 | 432 |

NET WGT
330 LB
149.7 Kg

58508
UX72A
NOG
011216

INSPECTION & FINAL TEST N603!



ENCLOSURE TYPE 2 (IP20). OR RAINPROOF TYPE 3R (IP22) WHEN PROVIDED SHIELD 9T18Y1172G06

Assembled in Mexico

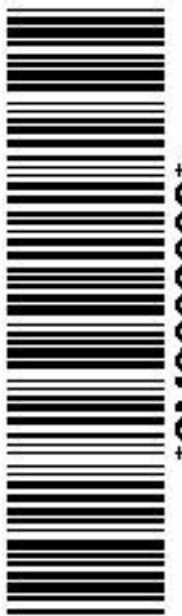
BEFORE HANDLING, INSTALLING AND OPERATING, SEE INSTRUCTION 475A667AAP001
ALUMINUM CONDUCTOR PRIMARY: 10 KV BIL SECONDARY: 10 KV BIL Outline: 303B111GEUXP72A

X3 H3 X2 H2 X1 H1 X0

IN ACCORDANCE WITH NEC SECTION 450-9, ALLOW AT LEAST SIX INCHES CLEARANCE FOR VENTILATION. CHECK ADDITIONAL NEC AND LOCAL CODE

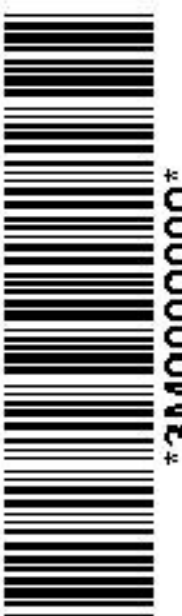
Note: standard

X0
X1
X2
X3



2M0000000

X0
X1
X2
X3



3M0000000