



Transformer



1M0000000

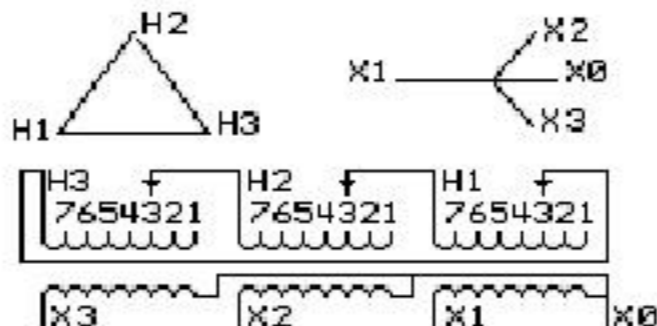
Catalog Number
9T10W1002G61

Type **QL**

30.0 KVA 60 HZ 3 PH 2 % IMP

40 C AMB. 80 C RISE 220 C SYSTEM IS-19C

Note: Design is based on 45.00KVA & 115C Rise 3% Imp.



JUMPER CONNECTION	
TAP	VOLTS
1	504
2	490
3	480
4	467
5	457
6	444
7	434

NET WGT
444 LB
201.4 Kg

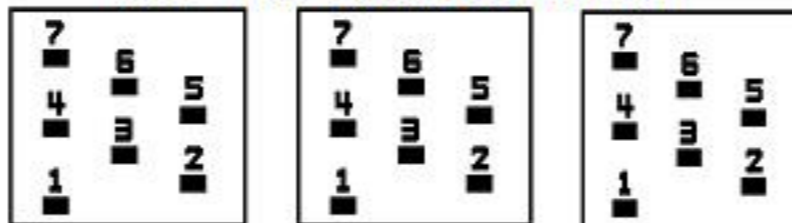
60466
UX73A

NOG
032816

INSPECTION
&
FINAL TEST
N614!

PRIMARY (H) 480 VOLTS (LINE-LINE)
 SECONDARY (X) 208 VOLTS (LINE-LINE)
 120 VOLTS (LINE-NEUTRAL)

COIL TAP ARRANGEMENT



LISTED 769G

ENCLOSURE TYPE 2 (IP20). OR RAINPROOF TYPE 3R (IP22) WHEN PROVIDED SHIELD 9T18W1072G06

Assembled in Mexico

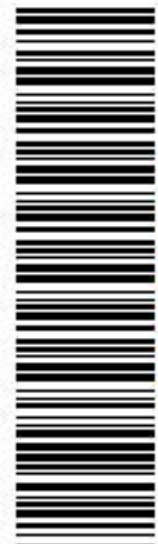
BEFORE HANDLING, INSTALLING AND OPERATING, SEE INSTRUCTION 475A667AAP001
ALUMINUM CONDUCTOR PRIMARY: 10 KV BIL SECONDARY: 10 KV BIL

Outline:
303B111MWUXP73A

X3 H3 X2 H2 X1 H1 X0

IN ACCORDANCE WITH NEC SECTION 450-9, ALLOW AT LEAST SIX INCHES CLEARANCE FOR VENTILATION. CHECK ADDITIONAL NEC AND LOCAL CODE

Note: standard



2M0000000



3M0000000

X3 H3 X2 H2 X1 H1 X0

X3 H3 X2 H2 X1 H1 X0