



Transformer



1M0000000

X0
X0
H1
H1
X1
X1
H2
H2
X2
X2
H3
H3
X3
X3

Catalog Number

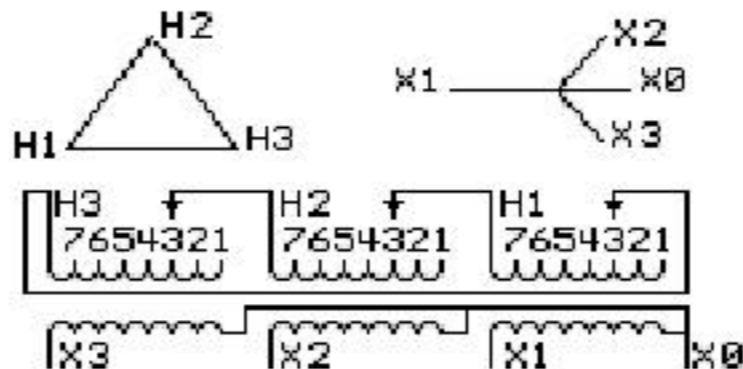
Type QL

9T10W1003

45.0 KVA 60 HZ 3 PH 3.2 % IMP

40 C AMB. 150 C RISE 220 C SYSTEM IS-19C

Note: Design is based on 45.00KVA & 115C Rise 3% Imp.



JUMPER CONNECTION	
TAP	VOLTS
1	504
2	490
3	480
4	467
5	457
6	444
7	434

NET WGT
444 LB
201.4 Kg

58549

UX73A

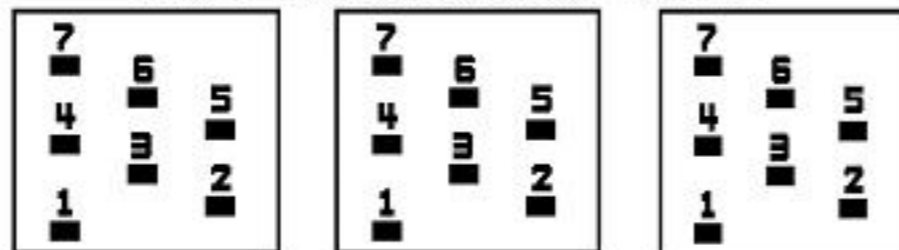
NOG

012116

INSPECTION
&
FINAL TEST
N604!

PRIMARY (H) 480 VOLTS (LINE-LINE)
 SECONDARY (X) 208 VOLTS (LINE-LINE)
 120 VOLTS (LINE-NEUTRAL)

COIL TAP ARRANGEMENT



ENCLOSURE TYPE 2 (IP20) OR RAINPROOF TYPE 3R (IP22) WHEN PROVIDED SHIELD 9T18W1072G06

Assembled in Mexico

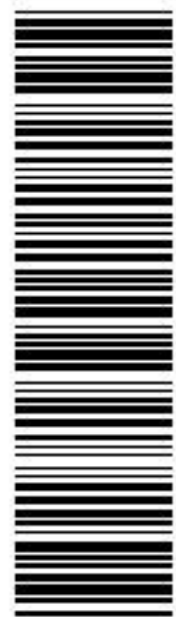
BEFORE HANDLING, INSTALLING AND OPERATING, SEE INSTRUCTION 475A667AAP001
ALUMINUM CONDUCTOR PRIMARY: 10 KV BIL SECONDARY: 10 KV BIL

Outline:
303B111MWUXP73A

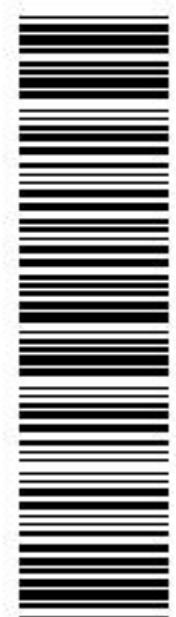
X3 H3 X2 H2 X1 H1 X0

IN ACCORDANCE WITH NEC SECTION 450-9, ALLOW AT LEAST SIX INCHES
CLEARANCE FOR VENTILATION. CHECK ADDITIONAL NEC AND LOCAL CODE

Note: standard



2M0000000



3M0000000