



# Transformer



\*1M0000000\*

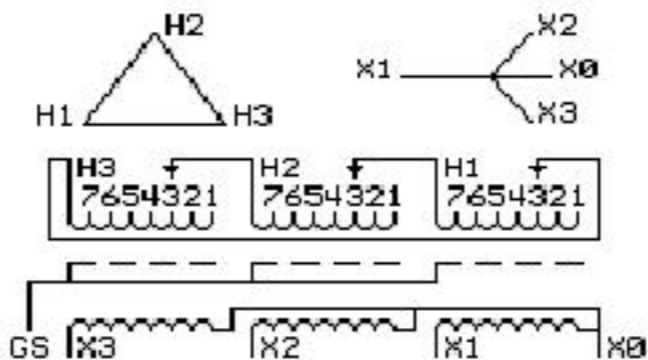
Catalog Number  
**9T10W1003G03**

Type **QL**

**45.0 KVA    60 HZ    3 PH 3.3 % IMP**

40 C AMB.    150 C RISE    220 C SYSTEM    IS-19C

Note: Design is based on 45.00KVA & 115C Rise 3.1% Imp.



| JUMPER CONNECTION |       |
|-------------------|-------|
| TAP               | VOLTS |
| 1                 | 504   |
| 2                 | 490   |
| 3                 | 480   |
| 4                 | 467   |
| 5                 | 457   |
| 6                 | 444   |
| 7                 | 434   |

NET WGT  
444 LB  
201.4 Kg

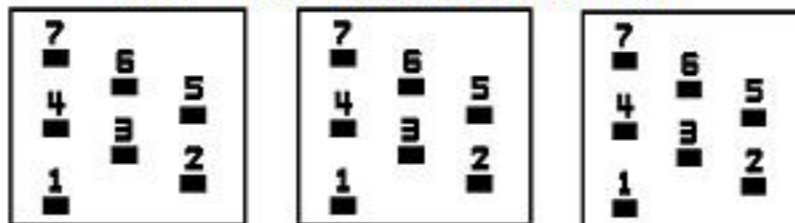
535E0  
UX73A

NOG  
032816

INSPECTION  
&  
FINAL TEST  
N614!

PRIMARY (H)    480 VOLTS (LINE-LINE)  
 SECONDARY (X)    208 VOLTS (LINE-LINE)  
                           120 VOLTS (LINE-NEUTRAL)

### COIL TAP ARRANGEMENT



LISTED 769G

ELECTROSTATIC GROUND SHIELD IN EACH PHASE

ENCLOSURE TYPE 2 (IP20). OR RAINPROOF TYPE 3R (IP22) WHEN PROVIDED SHIELD 9T18W1072G06

Assembled in Mexico

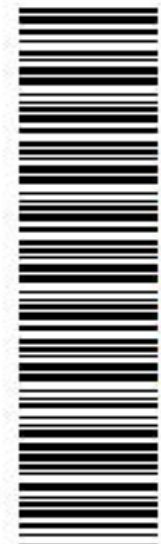
BEFORE HANDLING, INSTALLING AND OPERATING, SEE INSTRUCTION 475A667AAP001  
ALUMINUM CONDUCTOR    PRIMARY: 10 KV BIL    SECONDARY: 10 KV BIL

Outline:  
303B111MWUXP73A

**X3   H3   X2   H2   X1   H1   X0**

**IN ACCORDANCE WITH NEC SECTION 450-9, ALLOW AT LEAST SIX INCHES  
CLEARANCE FOR VENTILATION. CHECK ADDITIONAL NEC AND LOCAL CODE**

Note: standard



\*2M0000000\*



\*3M0000000\*

X3 H3 X2 H2 X1 H1 X0

X3 H3 X2 H2 X1 H1 X0