



# Transformer



\*1M000000\*

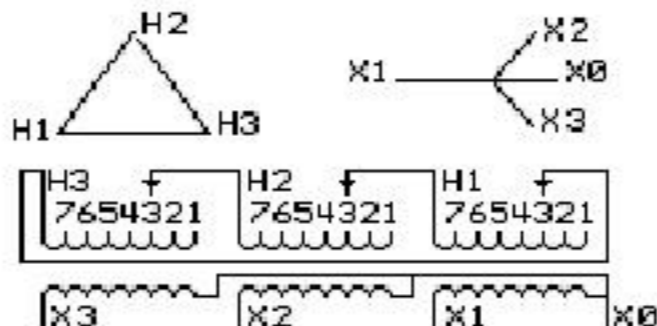
Catalog Number  
**9T10W1004G31**

Type **QL**

**75.0 KVA    60 HZ    3 PH 6.1 % IMP**

40 C AMB.    115 C RISE    220 C SYSTEM    IS-19C

Note: Design is based on 75.00KVA & 115C Rise 6.1% Imp.



JUMPER CONNECTION	
TAP	VOLTS
1	502
2	491
3	480
4	469
5	455
6	444
7	433

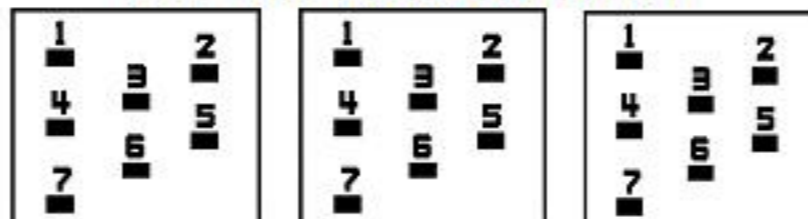
NET WGT  
603 LB  
273.5 Kg

60487  
UX74A  
NOG  
032816

INSPECTION  
&  
FINAL TEST  
N614!

PRIMARY (H)	480 VOLTS (LINE-LINE)
SECONDARY (X)	208 VOLTS (LINE-LINE)
	120 VOLTS (LINE-NEUTRAL)

### COIL TAP ARRANGEMENT



ENCLOSURE TYPE 2 (IP20). OR RAINPROOF TYPE 3R (IP22) WHEN PROVIDED SHIELD 9T18W1074G06

Assembled in Mexico

BEFORE HANDLING, INSTALLING AND OPERATING, SEE INSTRUCTION 475A667AAP001  
ALUMINUM CONDUCTOR    PRIMARY: 10 KV BIL    SECONDARY: 10 KV BIL

Outline:  
303B111MWUXP74A

**IN ACCORDANCE WITH NEC SECTION 450-9, ALLOW AT LEAST SIX INCHES  
CLEARANCE FOR VENTILATION. CHECK ADDITIONAL NEC AND LOCAL CODE**

**X3 H3 X2 H2 X1 H1 -**

Note: X0 at bottom

X3 H3 X2 H2 X1 H1

X3 H3 X2 H2 X1 H1

X0

