



# Transformer



\*1M000000\*

Catalog Number

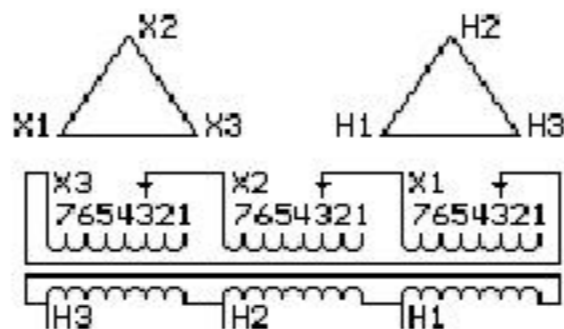
Type QL

9T10W1331

15.0 KVA 60 HZ 3 PH 3.7 % IMP

40 C AMB. 150 C RISE 220 C SYSTEM IS-19C

Note: Design is based on 15.00KVA & 150C Rise 3.7% Imp.



JUMPER CONNECTION	
TAP	VOLTS
1	219
2	213
3	208
4	202
5	198
6	192
7	187

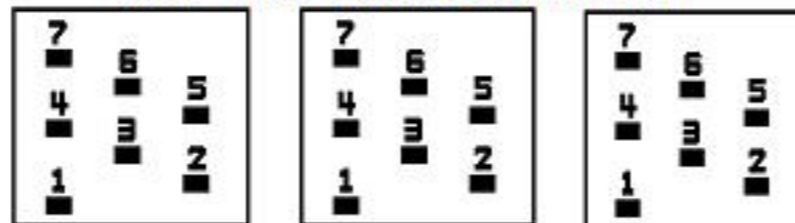
NET WGT  
231 LB  
104.8 Kg

59008  
UX71A  
NOG  
030916

INSPECTION  
&  
FINAL TEST  
N611!

PRIMARY (X) 208 VOLTS (LINE-LINE)  
 SECONDARY (H) 480 VOLTS (LINE-LINE)

### COIL TAP ARRANGEMENT



ENCLOSURE TYPE 2 (IP20). OR RAINPROOF TYPE 3R (IP22) WHEN PROVIDED SHIELD 9T18W1071G06

Assembled in Mexico

BEFORE HANDLING, INSTALLING AND OPERATING, SEE INSTRUCTION 475A667AAP001  
ALUMINUM CONDUCTOR PRIMARY: 10 KV BIL SECONDARY: 10 KV BIL

Outline:  
303B111MWUXP71A

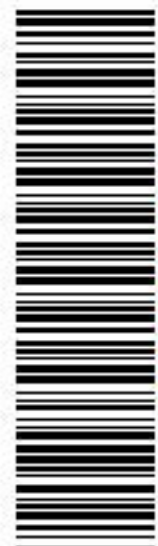
H3 X3 H2 X2 H1 X1 -

IN ACCORDANCE WITH NEC SECTION 450-9, ALLOW AT LEAST SIX INCHES  
CLEARANCE FOR VENTILATION. CHECK ADDITIONAL NEC AND LOCAL CODE

Note: standard

H3 X3 H2 X2 H1 X1

H3 X3 H2 X2 H1 X1



\*2M000000\*



\*3M000000\*