



Transformer



1M0000000

H0	-	-	-	-	-	-	-	-	-
X1	-	-	-	-	-	-	-	-	-
H	-	-	-	-	-	-	-	-	-
X2	-	-	-	-	-	-	-	-	-
H	-	-	-	-	-	-	-	-	-
X3	-	-	-	-	-	-	-	-	-
H3	-	-	-	-	-	-	-	-	-

H0	-	-	-	-	-	-	-	-	-
X1	-	-	-	-	-	-	-	-	-
H	-	-	-	-	-	-	-	-	-
X2	-	-	-	-	-	-	-	-	-
H	-	-	-	-	-	-	-	-	-
X3	-	-	-	-	-	-	-	-	-
H3	-	-	-	-	-	-	-	-	-

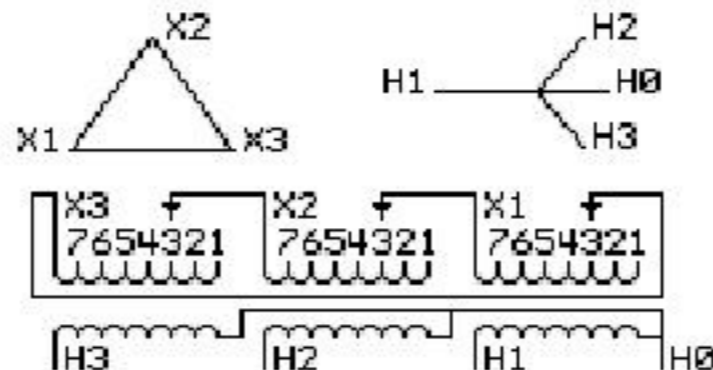
Catalog Number **9T10W1341** Type **QL**

15.0 KVA 60 HZ 3 PH 3.8 % IMP

40 C AMB. 150 C RISE 220 C SYSTEM IS-19C

Note: Design is based on 15.00KVA & 150C Rise 3.8% Imp.

PRIMARY (X) 208 VOLTS (LINE-LINE)
 SECONDARY (H) 480 VOLTS (LINE-LINE)
 277 VOLTS (LINE-NEUTRAL)



JUMPER CONNECTION	
TAP	VOLTS
1	217
2	213
3	208
4	203
5	198
6	192
7	188

NET WGT
231 LB
104.8 Kg

59029

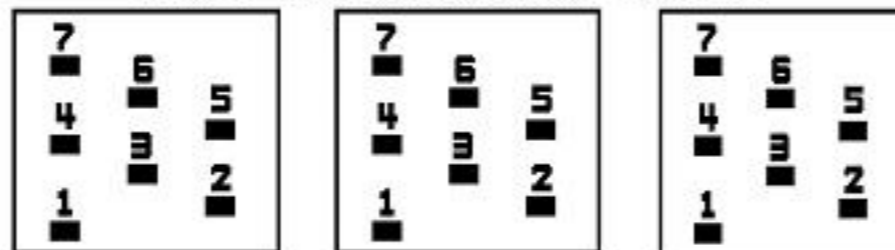
UX71A

NOG

012116

INSPECTION & FINAL TEST N604!

COIL TAP ARRANGEMENT



ENCLOSURE TYPE 2 (IP20) OR RAINPROOF TYPE 3R (IP22) WHEN PROVIDED SHIELD 9T18W1071G06

Assembled in Mexico

BEFORE HANDLING, INSTALLING AND OPERATING, SEE INSTRUCTION 475A667AAP001 Outline:
 ALUMINUM CONDUCTOR PRIMARY: 10 KV BIL SECONDARY: 10 KV BIL 303B111MWUXP71A

H3 X3 H2 X2 H1 X1 H0

- - - - -

Note: standard

IN ACCORDANCE WITH NEC SECTION 450-9, ALLOW AT LEAST SIX INCHES CLEARANCE FOR VENTILATION. CHECK ADDITIONAL NEC AND LOCAL CODE

2M0000000

3M0000000