



Transformer



1M0000000

Catalog Number

Type QL

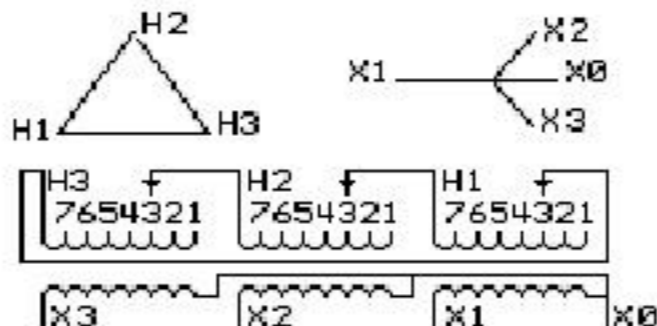
9T10X1001

15.0 KVA 60 HZ 3 PH 4.1 % IMP

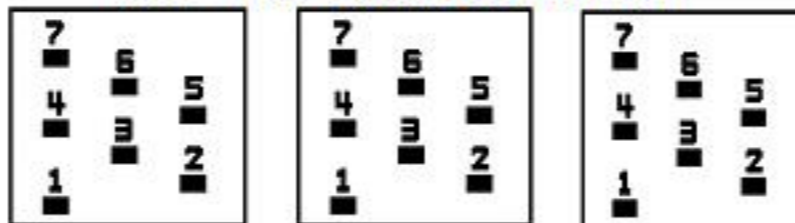
40 C AMB. 150 C RISE 220 C SYSTEM IS-19C

Note: Design is based on 15.00KVA & 115C Rise 3.8% Imp.

PRIMARY (H) 480 VOLTS (LINE-LINE)
 SECONDARY (X) 208 VOLTS (LINE-LINE)
 120 VOLTS (LINE-NEUTRAL)



COIL TAP ARRANGEMENT



JUMPER CONNECTION	
TAP	VOLTS
1	504
2	492
3	480
4	468
5	456
6	444
7	432

NET WGT
230 LB
104.3 Kg

53666
UX71C

NOG
021216

INSPECTION
&
FINAL TEST
N607!



ENCLOSURE TYPE 2 (IP20). OR RAINPROOF TYPE 3R (IP22) WHEN PROVIDED SHIELD 9T18W1071G06

BEFORE HANDLING, INSTALLING AND OPERATING, SEE INSTRUCTION 475A667AAP001
COPPER CONDUCTOR PRIMARY: 10 KV BIL SECONDARY: 10 KV BIL

Outline:
303B111MWUXP71C

Assembled in Mexico

X3 H3 X2 H2 X1 H1 X0

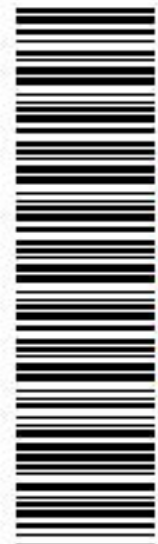
- - - - -

Note: standard

IN ACCORDANCE WITH NEC SECTION 450-9, ALLOW AT LEAST SIX INCHES
CLEARANCE FOR VENTILATION. CHECK ADDITIONAL NEC AND LOCAL CODE

X0
H1
H1
X1
X1
H2
H2
X2
X2
H3
H3
X3

X0
H1
H1
X1
X1
H2
H2
X2
X2
H3
H3
X3



2M0000000



3M0000000