



# Transformer



\*1M0000000\*

Catalog Number  
**9T10X1001G31**

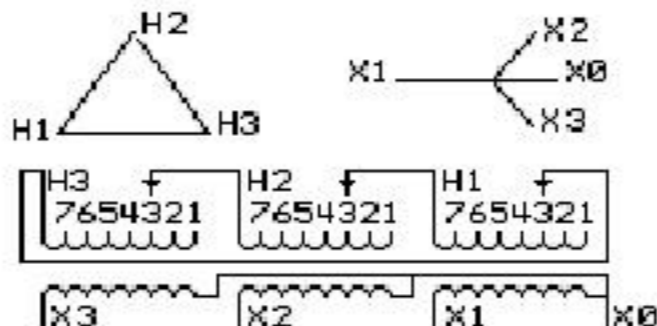
Type **QL**

**15.0 KVA 60 HZ 3 PH 3.8 % IMP**

40 C AMB. 115 C RISE 220 C SYSTEM IS-19C

Note: Design is based on 15.00KVA & 115C Rise 3.8% Imp.

PRIMARY (H) 480 VOLTS (LINE-LINE)  
SECONDARY (X) 208 VOLTS (LINE-LINE)  
120 VOLTS (LINE-NEUTRAL)



JUMPER CONNECTION	
TAP	VOLTS
1	504
2	492
3	480
4	468
5	456
6	444
7	432

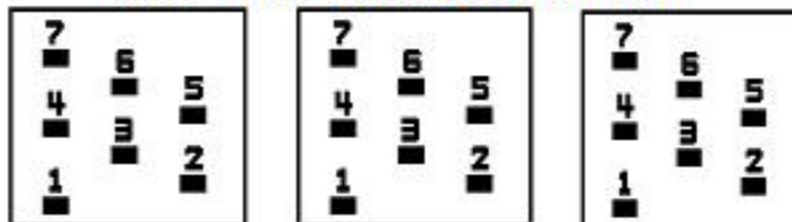
NET WGT  
230 LB  
104.3 Kg

53666  
UX71C

NOG  
032816

INSPECTION  
&  
FINAL TEST  
N614!

### COIL TAP ARRANGEMENT



LISTED 769G

ENCLOSURE TYPE 2 (IP20). OR RAINPROOF TYPE 3R (IP22) WHEN PROVIDED SHIELD 9T18W1071G06

Assembled in Mexico

BEFORE HANDLING, INSTALLING AND OPERATING, SEE INSTRUCTION 475A667AAP001  
COPPER CONDUCTOR PRIMARY: 10 KV BIL SECONDARY: 10 KV BIL

Outline:  
303B111MWUXP71C

**X3 H3 X2 H2 X1 H1 X0**

**IN ACCORDANCE WITH NEC SECTION 450-9, ALLOW AT LEAST SIX INCHES  
CLEARANCE FOR VENTILATION. CHECK ADDITIONAL NEC AND LOCAL CODE**

Note: standard

X3 H3 X2 H2 X1 H1 X0

X3 H3 X2 H2 X1 H1 X0



\*2M0000000\*



\*3M0000000\*