



Transformer



1M0000000

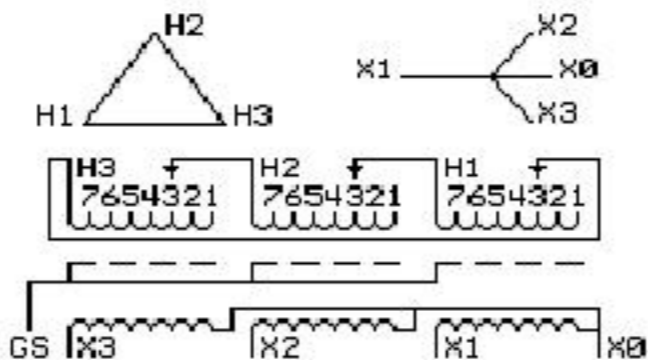
Catalog Number
9T10X1002G03

Type **QL**

30.0 KVA 60 HZ 3 PH 4 % IMP

40 C AMB. 150 C RISE 220 C SYSTEM IS-19C

Note: Design is based on 30.00KVA & 115C Rise 3.7% Imp.



JUMPER CONNECTION	
TAP	VOLTS
1	503
2	493
3	480
4	468
5	455
6	445
7	432

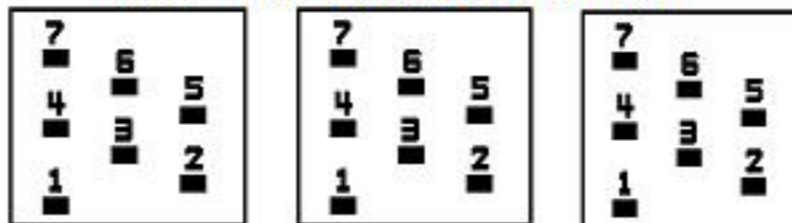
NET WGT
353 LB
160.1 Kg

60668
UK72C
NOG
032816

INSPECTION
&
FINAL TEST
N614!

PRIMARY (H) 480 VOLTS (LINE-LINE)
 SECONDARY (X) 208 VOLTS (LINE-LINE)
 120 VOLTS (LINE-NEUTRAL)

COIL TAP ARRANGEMENT



LISTED 769G

ELECTROSTATIC GROUND SHIELD IN EACH PHASE

ENCLOSURE TYPE 2 (IP20). OR RAINPROOF TYPE 3R (IP22) WHEN PROVIDED SHIELD 9T18W1072G06

Assembled in Mexico

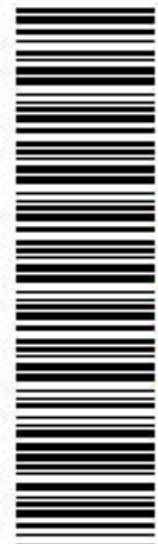
BEFORE HANDLING, INSTALLING AND OPERATING, SEE INSTRUCTION 475A667AAP001
COPPER CONDUCTOR PRIMARY: 10 KV BIL SECONDARY: 10 KV BIL

Outline:
303B111MWUXP72C

X3 H3 X2 H2 X1 H1 X0

IN ACCORDANCE WITH NEC SECTION 450-9, ALLOW AT LEAST SIX INCHES CLEARANCE FOR VENTILATION. CHECK ADDITIONAL NEC AND LOCAL CODE

Note: standard



2M0000000



3M0000000

X3 H3 X2 H2 X1 H1 X0

X3 H3 X2 H2 X1 H1 X0