



# Transformer



\*1M0000000\*

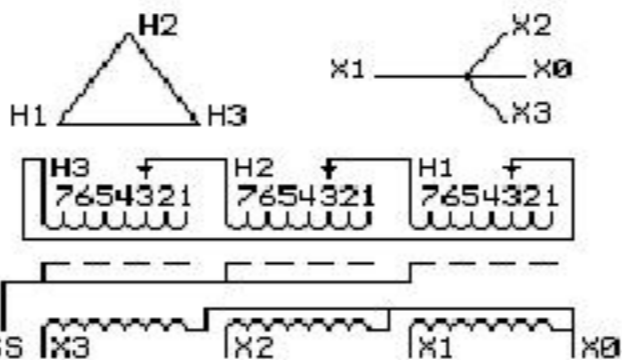
Catalog Number  
**9T10X1002G33**

Type **QL**

**30.0 KVA 60 HZ 3 PH 3.7 % IMP**

40 C AMB. 115 C RISE 220 C SYSTEM IS-19C

Note: Design is based on 30.00KVA & 115C Rise 3.7% Imp.



JUMPER CONNECTION	
TAP	VOLTS
1	503
2	493
3	480
4	468
5	455
6	445
7	432

NET WGT  
353 LB  
160.1 Kg

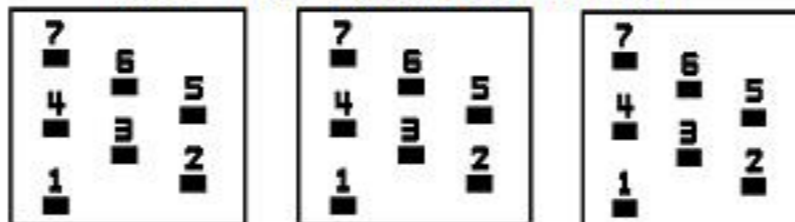
60668  
UK72C

NOG  
032816

INSPECTION  
&  
FINAL TEST  
N614!

PRIMARY (H) 480 VOLTS (LINE-LINE)  
 SECONDARY (X) 208 VOLTS (LINE-LINE)  
 120 VOLTS (LINE-NEUTRAL)

### COIL TAP ARRANGEMENT



LISTED 769G

ELECTROSTATIC GROUND SHIELD IN EACH PHASE

ENCLOSURE TYPE 2 (IP20). OR RAINPROOF TYPE 3R (IP22) WHEN PROVIDED SHIELD 9T18W1072G06

Assembled in Mexico

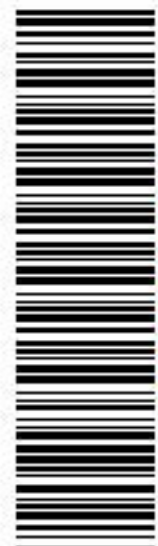
BEFORE HANDLING, INSTALLING AND OPERATING, SEE INSTRUCTION 475A667AAP001  
COPPER CONDUCTOR PRIMARY: 10 KV BIL SECONDARY: 10 KV BIL

Outline:  
303B111MWUXP72C

**X3 H3 X2 H2 X1 H1 X0**

**IN ACCORDANCE WITH NEC SECTION 450-9, ALLOW AT LEAST SIX INCHES  
CLEARANCE FOR VENTILATION. CHECK ADDITIONAL NEC AND LOCAL CODE**

Note: standard



\*2M0000000\*



\*3M0000000\*

X3 H3 X2 H2 X1 H1 X0

X3 H3 X2 H2 X1 H1 X0