



# Transformer



\*1M000000\*

Catalog Number  
**9T10X1002G61**

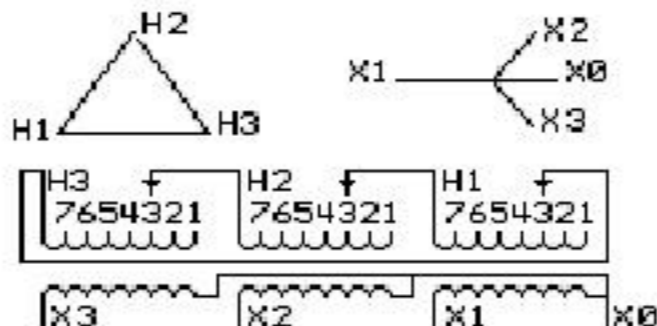
Type **QL**

**30.0 KVA 60 HZ 3 PH 2.1 % IMP**

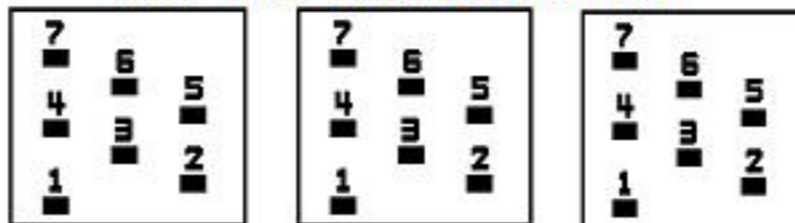
40 C AMB. 80 C RISE 220 C SYSTEM IS-19C

Note: Design is based on 45.00KVA & 115C Rise 3.2% Imp.

PRIMARY (H) 480 VOLTS (LINE-LINE)  
SECONDARY (X) 208 VOLTS (LINE-LINE)  
120 VOLTS (LINE-NEUTRAL)



### COIL TAP ARRANGEMENT



| JUMPER CONNECTION |       |
|-------------------|-------|
| TAP               | VOLTS |
| 1                 | 502   |
| 2                 | 491   |
| 3                 | 480   |
| 4                 | 469   |
| 5                 | 455   |
| 6                 | 444   |
| 7                 | 433   |

NET WGT  
480 LB  
217.7 Kg

59178  
UK73C  
NOG  
032816

INSPECTION  
&  
FINAL TEST  
N614!



LISTED 769G

Assembled in Mexico

ENCLOSURE TYPE 2 (IP20). OR RAINPROOF TYPE 3R (IP22) WHEN PROVIDED SHIELD 9T18W1074G06

BEFORE HANDLING, INSTALLING AND OPERATING, SEE INSTRUCTION 475A667AAP001  
COPPER CONDUCTOR PRIMARY: 10 KV BIL SECONDARY: 10 KV BIL

Outline:  
303B111MWUXP73C

**IN ACCORDANCE WITH NEC SECTION 450-9, ALLOW AT LEAST SIX INCHES  
CLEARANCE FOR VENTILATION. CHECK ADDITIONAL NEC AND LOCAL CODE**

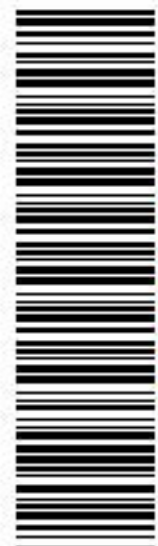
**X3 H3 X2 H2 X1 H1 -**

Note: X0 at the top

X3 H3 X2 H2 X1 H1

X3 H3 X2 H2 X1 H1

X0



\*2M000000\*



\*3M000000\*