



Transformer



1M0000000

Catalog Number

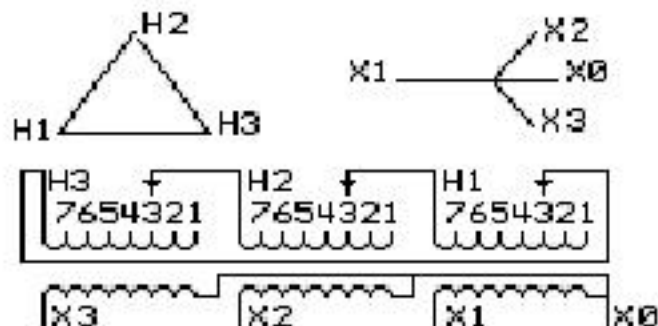
Type QL

9T10X1003

45.0 KVA 60 HZ 3 PH 3.3 % IMP

40 C AMB. 150 C RISE 220 C SYSTEM IS-19C

Note: Design is based on 45.00KVA & 115C Rise 3.2% Imp.



JUMPER CONNECTION	
TAP	VOLTS
1	502
2	491
3	480
4	469
5	455
6	444
7	433

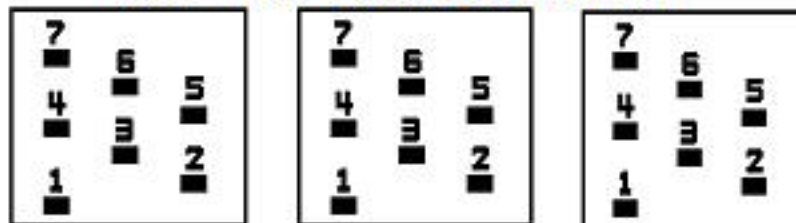
NET WGT
480 LB
217.7 Kg

59178
UK73C
NOG
030316

INSPECTION
&
FINAL TEST
N610!

PRIMARY (H) 480 VOLTS (LINE-LINE)
 SECONDARY (X) 208 VOLTS (LINE-LINE)
 120 VOLTS (LINE-NEUTRAL)

COIL TAP ARRANGEMENT



LISTED 769G

ENCLOSURE TYPE 2 (IP20). OR RAINPROOF TYPE 3R (IP22) WHEN PROVIDED SHIELD 9T18W1074G06

Assembled in Mexico

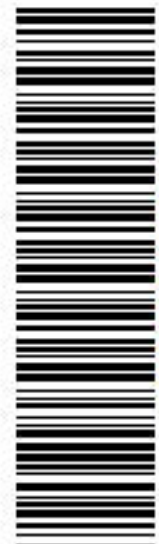
BEFORE HANDLING, INSTALLING AND OPERATING, SEE INSTRUCTION 475A667AAP001
COPPER CONDUCTOR PRIMARY: 10 KV BIL SECONDARY: 10 KV BIL

Outline:
303B111MWUXP73C

X3 H3 X2 H2 X1 H1 -

IN ACCORDANCE WITH NEC SECTION 450-9, ALLOW AT LEAST SIX INCHES
CLEARANCE FOR VENTILATION. CHECK ADDITIONAL NEC AND LOCAL CODE

Note: X0 at the top



2M0000000



3M0000000

X3 H3 X2 H2 X1 H1

X3 H3 X2 H2 X1 H1

X0