



Transformer



1M0000000

Catalog Number

Type QL

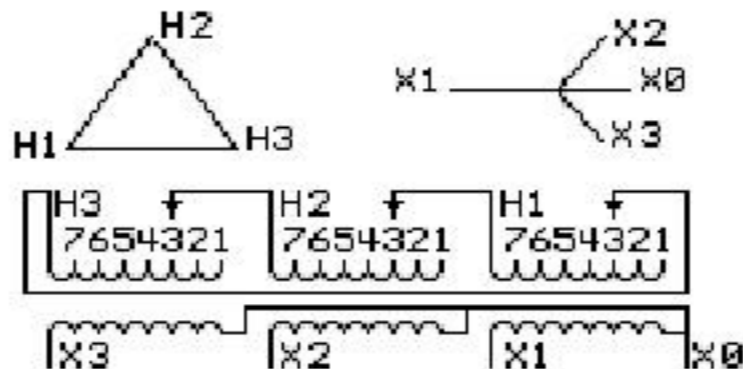
9T10X1004

75.0 KVA 60 HZ 3 PH 4.1 % IMP

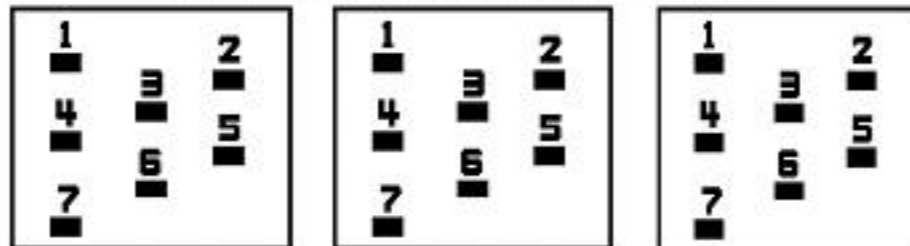
40 C AMB. 150 C RISE 220 C SYSTEM IS-19C

Note: Design is based on 75.00KVA & 150C Rise 4.1% Imp.

PRIMARY (H) 480 VOLTS (LINE-LINE)
SECONDARY (X) 208 VOLTS (LINE-LINE)
120 VOLTS (LINE-NEUTRAL)



COIL TAP ARRANGEMENT



JUMPER CONNECTION	
TAP	VOLTS
1	503
2	494
3	480
4	467
5	458
6	445
7	431

NET WGT
661 LB
299.8 Kg

59036
UY74C
NOG
012116

INSPECTION
&
FINAL TEST
N604!



ENCLOSURE TYPE 2 (IP20) OR RAINPROOF TYPE 3R (IP22) WHEN PROVIDED SHIELD 9T18W1074G06

Assembled in Mexico

BEFORE HANDLING, INSTALLING AND OPERATING, SEE INSTRUCTION 475A667AAP001 Outline:
COPPER CONDUCTOR PRIMARY: 10 KV BIL SECONDARY: 10 KV BIL 303B111MWUYP74C

X3 H3 X2 H2 X1 H1 -

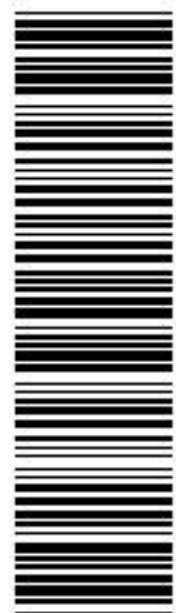
IN ACCORDANCE WITH NEC SECTION 450-9, ALLOW AT LEAST SIX INCHES
CLEARANCE FOR VENTILATION. CHECK ADDITIONAL NEC AND LOCAL CODE

Note: X0 at bottom

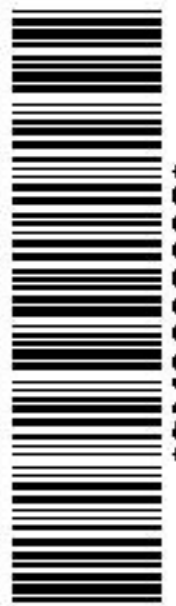
Midwest Electric Products

NEMA CLASS AA DRY TYPE TRANSFORMER

Meets DOE 2016 efficiency



2M0000000



3M0000000

X3 H3 X2 H2 X1 H1

X3 H3 X2 H2 X1 H1

X0