



Transformer



1M000000

Catalog Number

9T10Z1005

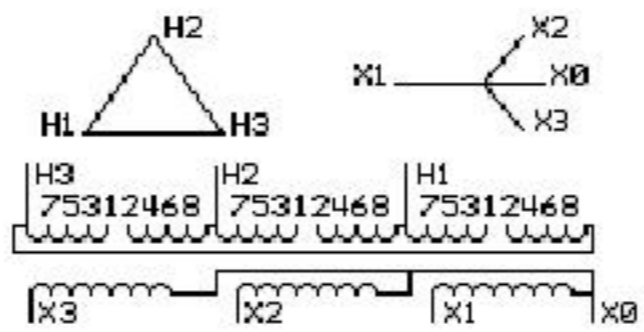
Type QL

112.5 KVA 60 HZ 3 PH 5 % IMP

40 C AMB. 150 C RISE 220 C SYSTEM IS-19C

Note: Design is based on 112.5KVA & 150C Rise 5% Imp.

PRIMARY (H) 480 VOLTS (LINE-LINE)
SECONDARY (X) 208 VOLTS (LINE-LINE)
120 VOLTS (LINE-NEUTRAL)



JUMPER CONNECTION	
TAP	VOLTS
1-2	503
2-3	492
3-4	480
4-5	469
5-6	457
6-7	446
7-8	435

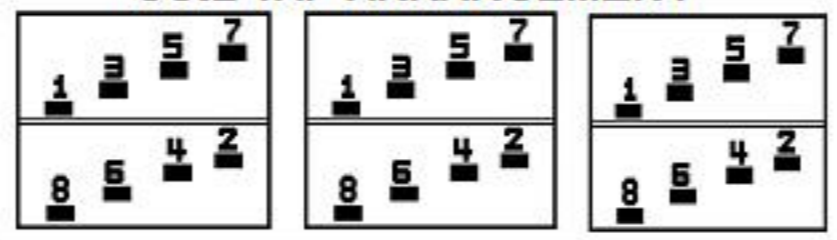
NET WGT
790 LB
358.3 Kg

60472
DY75C

NOG
022916

INSPECTION
&
FINAL TEST
N610!

COIL TAP ARRANGEMENT



ENCLOSURE TYPE 2 (IP20). OR RAINPROOF TYPE 3R (IP22) WHEN PROVIDED SHIELD 9T18Y1174G06

BEFORE HANDLING, INSTALLING AND OPERATING, SEE INSTRUCTION 475A667AAP001
COPPER CONDUCTOR PRIMARY: 10 KV BIL SECONDARY: 10 KV BIL Outline: 303B111GEDYP75C

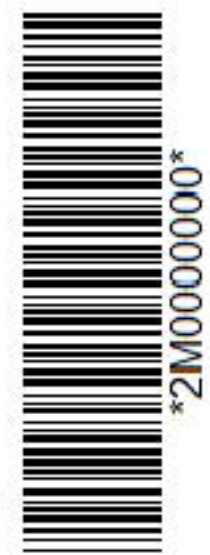
IN ACCORDANCE WITH NEC SECTION 450-9, ALLOW AT LEAST SIX INCHES CLEARANCE FOR VENTILATION. CHECK ADDITIONAL NEC AND LOCAL CODE

Assembled in Mexico

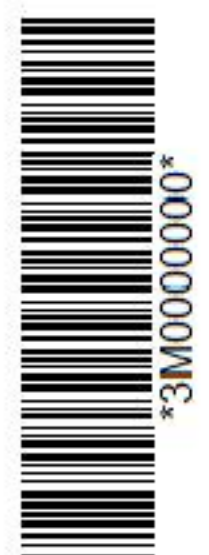
X3 - X2 - X1 - -
- H3 - H2 - H1

Note: X0 at the bottom

X1 - -
X2 - H1
H3 - H2
X3 - X1 - H1
X2 - H2
X3 - X2 - H2
H3 - H1
X3 - X1 - H1
H3 - H2
X3 - H3 - H1
X0



2M000000



3M000000