



# Transformer



\*1M0000000\*

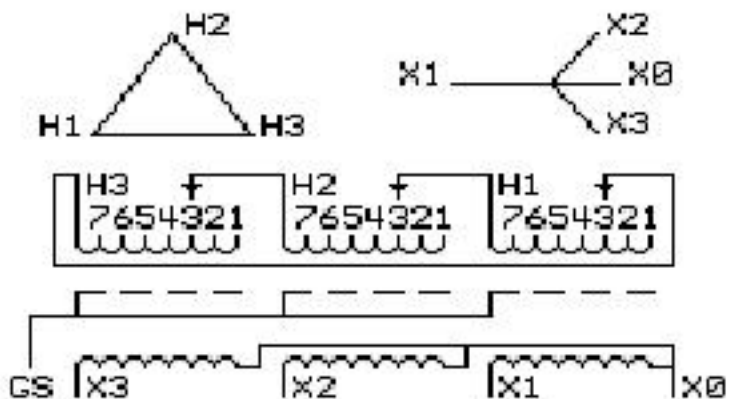
Catalog Number  
**9T11A1001G03**

Type **QL**

**15.0 KVA 60 HZ 3 PH 3.5 % IMP**

40 C AMB. 150 C RISE 220 C SYSTEM IS-19C

Note: Design is based on 15.00KVA & 115C Rise 3.5% Imp.



JUMPER CONNECTION	
TAP	VOLTS
1	504
2	493
3	480
4	468
5	455
6	445
7	432

NET WGT  
231 LB  
104.8 Kg

58540

UX71A

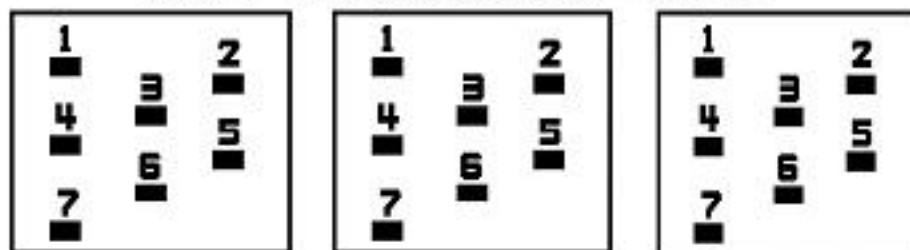
NOG

121015

INSPECTION  
&  
FINAL TEST  
N550!

PRIMARY (H) 480 VOLTS (LINE-LINE)  
 SECONDARY (X) 208 VOLTS (LINE-LINE)  
 120 VOLTS (LINE-NEUTRAL)

### COIL TAP ARRANGEMENT



ELECTROSTATIC GROUND SHIELD IN EACH PHASE

ENCLOSURE TYPE 2 (IP20) OR RAINPROOF TYPE 3R (IP22) WHEN PROVIDED SHIELD 9T18Y1071G06

SUITABLE FOR NONSINUSOIDAL CURRENT LOAD WITH K-FACTOR NOT TO EXCEED 13

BEFORE HANDLING, INSTALLING AND OPERATING, SEE INSTRUCTION 475A667AAP001

ALUMINUM CONDUCTOR

PRIMARY: 10 KV BIL

SECONDARY: 10 KV BIL

Outline:

303B111GEUXP71A

Assembled in Mexico

**X3 H3 X2 H2 X1 H1 X0**

- - - - -

Note: standard

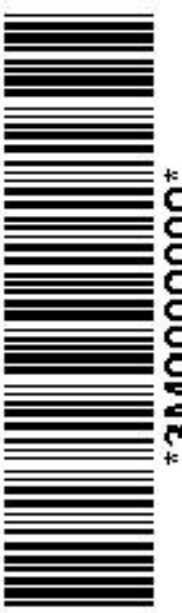
IN ACCORDANCE WITH NEC SECTION 450-9, ALLOW AT LEAST SIX INCHES  
CLEARANCE FOR VENTILATION. CHECK ADDITIONAL NEC AND LOCAL CODE

X0  
X1  
X2  
X3  
H1  
H2  
H3

X0  
X1  
X2  
X3  
H1  
H2  
H3



\*2M0000000\*



\*3M0000000\*