



# Transformer



\*1M0000000\*

Catalog Number

9T11A1002G03

Type QL

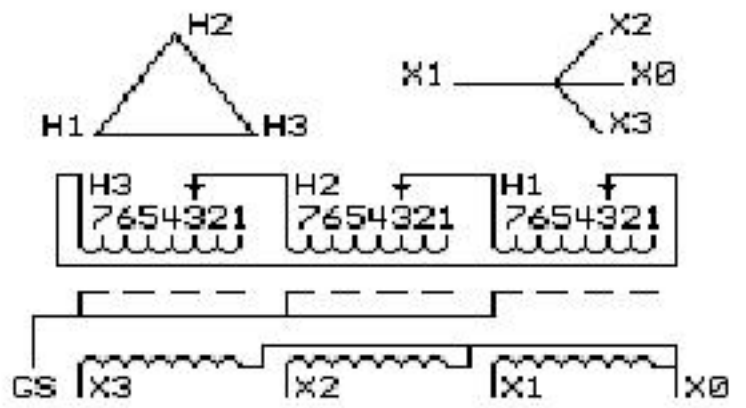
30.0 KVA 60 HZ 3 PH 2.1 % IMP

40 C AMB. 150 C RISE 220 C SYSTEM IS-19C

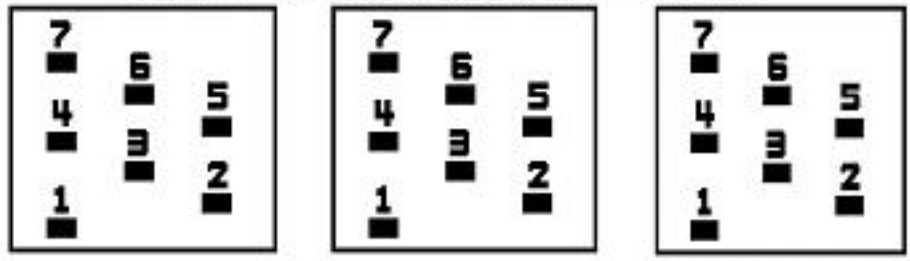
Note: Design is based on 45.00KVA & 115C Rise 3.1% Imp.

PRIMARY (H) 480 VOLTS (LINE-LINE)  
 SECONDARY (X) 208 VOLTS (LINE-LINE)  
 120 VOLTS (LINE-NEUTRAL)

ELECTROSTATIC GROUND SHIELD IN EACH PHASE



### COIL TAP ARRANGEMENT



JUMPER CONNECTION	
TAP	VOLTS
1	504
2	490
3	480
4	467
5	457
6	444
7	434

NET WGT  
444 LB  
201.4 Kg

58550  
UX73A

NOG  
121815

INSPECTION  
&  
FINAL TEST  
N551!



Assembled in Mexico

X3 H3 X2 H2 X1 H1 X0

- - - - -

Note: standard

ENCLOSURE TYPE 2 (IP20) OR RAINPROOF TYPE 3R (IP22) WHEN PROVIDED SHIELD 9T18Y1072G06  
 SUITABLE FOR NONSINUSOIDAL CURRENT LOAD WITH K-FACTOR NOT TO EXCEED 13  
 BEFORE HANDLING, INSTALLING AND OPERATING, SEE INSTRUCTION 475A667AAP001  
 ALUMINUM CONDUCTOR PRIMARY: 10 KV BIL SECONDARY: 10 KV BIL Outline: 303B111GEUXP73A

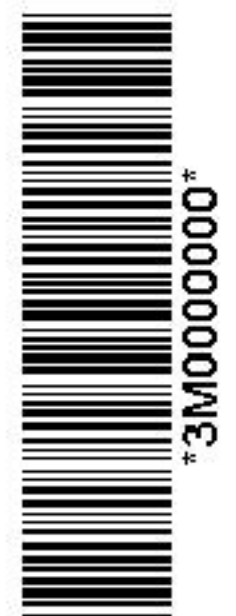
IN ACCORDANCE WITH NEC SECTION 450-9, ALLOW AT LEAST SIX INCHES CLEARANCE FOR VENTILATION. CHECK ADDITIONAL NEC AND LOCAL CODE

X0  
X1  
H1  
-  
X1  
H1  
-  
X2  
H2  
X2  
H2  
X2  
H2  
-  
X3  
H3  
X3  
H3



\*2M0000000\*

X0  
X1  
H1  
-  
X1  
H1  
-  
X2  
H2  
X2  
H2  
X2  
H2  
-  
X3  
H3  
X3  
H3



\*3M0000000\*