



# Transformer



\*1M0000000\*

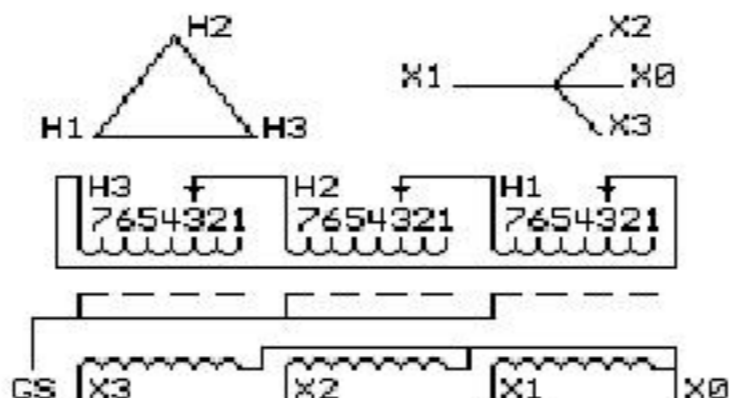
Catalog Number  
**9T11A1003G33**

Type **QL**

**45.0 KVA 60 HZ 3 PH 3.2 % IMP**

40 C AMB. 115 C RISE 220 C SYSTEM IS-19C

Note: Design is based on 75.00KVA & 150C Rise 5.3% Imp.



JUMPER CONNECTION	
TAP	VOLTS
1	502
2	491
3	480
4	469
5	455
6	444
7	433

NET WGT  
561 LB  
254.5 Kg

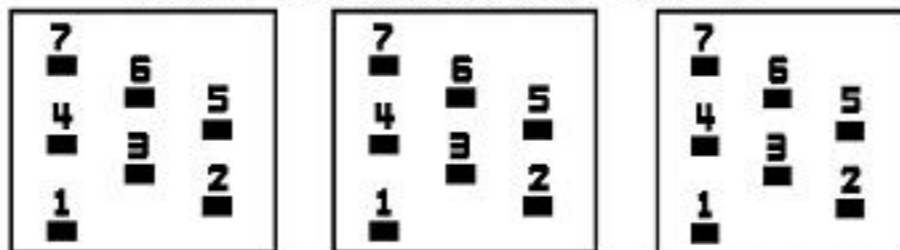
58553  
UY74A

NOG  
121315

INSPECTION  
&  
FINAL TEST  
N551!

PRIMARY (H) 480 VOLTS (LINE-LINE)  
 SECONDARY (X) 208 VOLTS (LINE-LINE)  
 120 VOLTS (LINE-NEUTRAL)

### COIL TAP ARRANGEMENT



ELECTROSTATIC GROUND SHIELD IN EACH PHASE

ENCLOSURE TYPE 2 (IP20) OR RAINPROOF TYPE 3R (IP22) WHEN PROVIDED SHIELD 9T18Y1074G06

SUITABLE FOR NONSINUSOIDAL CURRENT LOAD WITH K-FACTOR NOT TO EXCEED 13

BEFORE HANDLING, INSTALLING AND OPERATING, SEE INSTRUCTION 475A667AAP001

ALUMINUM CONDUCTOR

PRIMARY: 10 KV BIL

SECONDARY: 10 KV BIL

Outline:

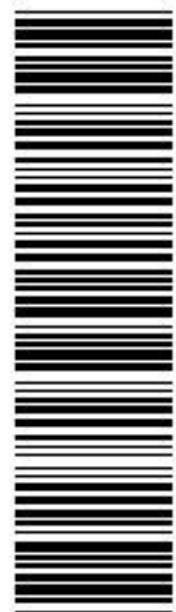
303B111GEUYP74A

Assembled in Mexico

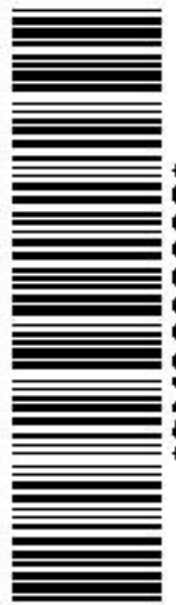
**X3 H3 X2 H2 X1 H1 -**

- - - - -

Note: X0 at bottom



\*2M0000000\*



\*3M0000000\*

X3 H3 X2 H2 X1 H1

X3 H3 X2 H2 X1 H1

X0