



# Transformer



\*1M0000000\*

Catalog Number **9T11A1451G03** Type **QL**

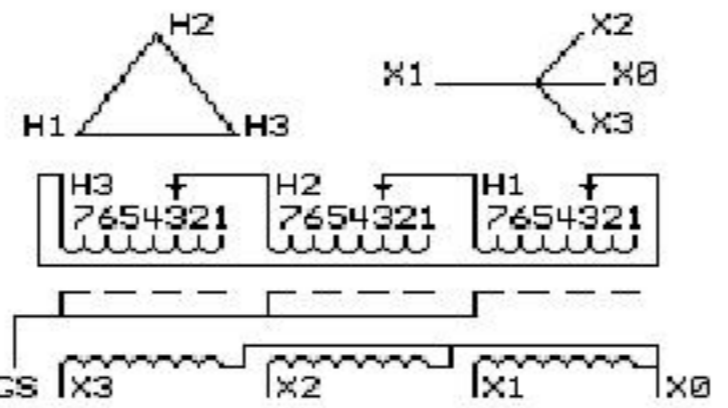
**15.0 KVA 60 HZ 3 PH 4.2 % IMP**

40 C AMB. 150 C RISE 220 C SYSTEM IS-19C

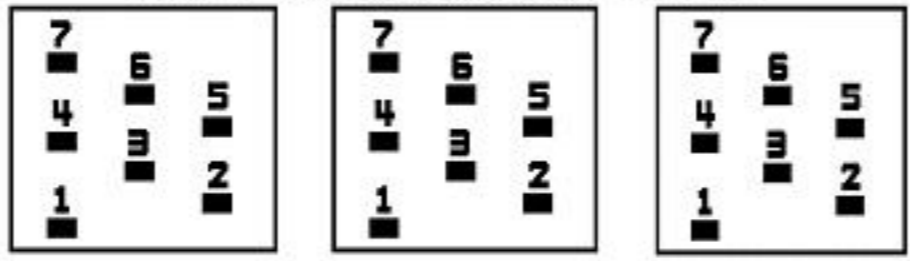
Note: Design is based on 15.00KVA & 150C Rise 4.2% Imp.

PRIMARY (H) 208 VOLTS (LINE-LINE)  
SECONDARY (X) 208 VOLTS (LINE-LINE)  
120 VOLTS (LINE-NEUTRAL)

ELECTROSTATIC GROUND SHIELD IN EACH PHASE



### COIL TAP ARRANGEMENT



JUMPER CONNECTION	
TAP	VOLTS
1	219
2	213
3	208
4	202
5	198
6	192
7	188

NET WGT  
231 LB  
104.8 Kg

58904  
UX71A

NOG  
011916

INSPECTION  
&  
FINAL TEST  
N604!



Assembled in Mexico

**X3 H3 X2 H2 X1 H1 X0**

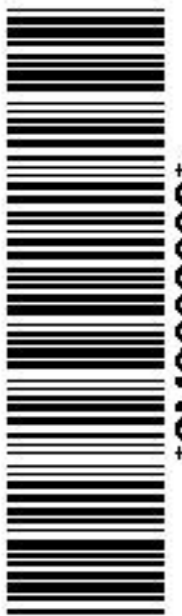
- - - - -

Note: standard

ENCLOSURE TYPE 2 (IP20) OR RAINPROOF TYPE 3R (IP22) WHEN PROVIDED SHIELD 9T18Y1071G06  
SUITABLE FOR NONSINUSOIDAL CURRENT LOAD WITH K-FACTOR NOT TO EXCEED 13  
BEFORE HANDLING, INSTALLING AND OPERATING, SEE INSTRUCTION 475A667AAP001  
ALUMINUM CONDUCTOR PRIMARY: 10 KV BIL SECONDARY: 10 KV BIL Outline: 303B111GEUXP71A

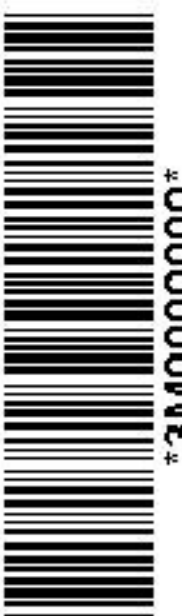
IN ACCORDANCE WITH NEC SECTION 450-9, ALLOW AT LEAST SIX INCHES CLEARANCE FOR VENTILATION. CHECK ADDITIONAL NEC AND LOCAL CODE

X0  
X1  
X2  
X3



\*2M0000000\*

X0  
X1  
X2  
X3



\*3M0000000\*