

Transformer

by ABB



1M0393333

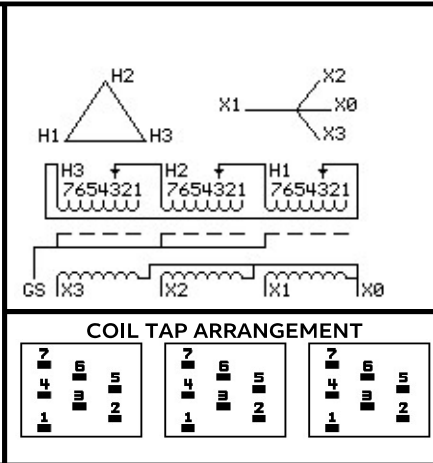
Catalog Number **Type QL**
9T11C1001G03

15.0 KVA 60 HZ 3 PH 4.2 % IMP
 40 C AMB. 150 C RISE 220 C SYSTEM IS-19C

Note: Design is based on 15.00KVA & 115C Rise 3.9% Imp.

PRIMARY (H) 480 VOLTS (LINE-LINE)
 SECONDARY (X) 208 VOLTS (LINE-LINE)
 120 VOLTS (LINE-NEUTRAL)

JUMPER CONNECTION	
TAP	VOLTS
1	504
2	492
3	480
4	468
5	456
6	444
7	432



NET WGT
 230 LB
 104.3 Kg
 58626
 UX71C

INSPECTION & FINAL TEST
 NP1
 N139@
 090921



ELECTROSTATIC GROUND SHIELD IN EACH PHASE

ENCLOSURE TYPE 2 (IP20). OR RAINPROOF TYPE 3R (IP22) WHEN PROVIDED SHIELD 9T18Y1071G06
SUITABLE FOR NONSINUSOIDAL CURRENT LOAD WITH K-FACTOR NOT TO EXCEED 13
BEFORE HANDLING, INSTALLING AND OPERATING, SEE INSTRUCTION 475A667AAP001
 COPPER CONDUCTOR PRIMARY: 10 KV BIL SECONDARY: 10 KV BIL
 IN ACCORDANCE WITH NEC SECTION 450-9. ALLOW AT LEAST SIX INCHES CLEARANCE FOR VENTILATION.
 CHECK ADDITIONAL NEC AND LOCAL CODE

ASSEMBLED IN MEXICO

X3	H3	X2	H2	X1	H1	X0
-	-	-	-	-	-	-

Note: standard

Outline: 303B111GEUXP71C

NEMA CLASS AA DRY TYPE TRANSFORMER

Meets DOE 2016 efficiency

X0	-	-	-	-	-	-
H1	-	-	-	-	-	-
X1	-	-	-	-	-	-
H2	-	-	-	-	-	-
X2	-	-	-	-	-	-
H3	-	-	-	-	-	-
X3	-	-	-	-	-	-

2M0393333 *3M0393333*