



Transformer



1M0000000

X0
X1
H1
X1
H1
X0
X3
H3
X2
H2
X2
H2
X2
H2
X0

X0

X1
H1
X1
H1
X1
H1
X3
H3
X2
H2
X2
H2
X0



2M0000000



3M0000000

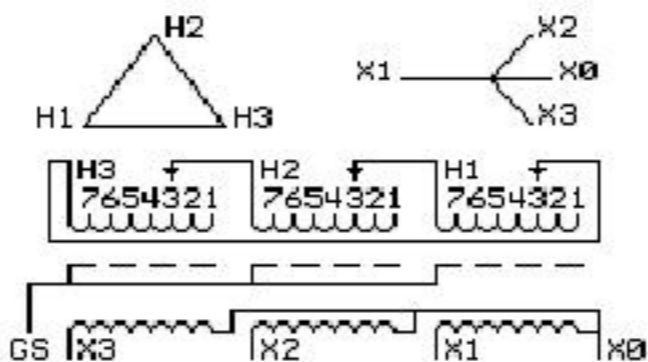
Catalog Number
9T14A1001G03

Type **QL**

15.0 KVA 60 HZ 3 PH 3.5 % IMP

40 C AMB. 150 C RISE 220 C SYSTEM IS-19C

Note: Design is based on 15.00KVA & 115C Rise 3.5% Imp.



JUMPER CONNECTION	
TAP	VOLTS
1	504
2	493
3	480
4	468
5	455
6	445
7	432

NET WGT
231 LB
104.8 Kg

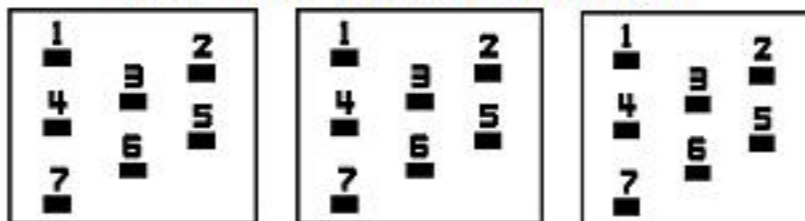
53540
UX71A

NOG
021916

INSPECTION
&
FINAL TEST
N608!

PRIMARY (H) 480 VOLTS (LINE-LINE)
 SECONDARY (X) 208 VOLTS (LINE-LINE)
 120 VOLTS (LINE-NEUTRAL)

COIL TAP ARRANGEMENT



ELECTROSTATIC GROUND SHIELD IN EACH PHASE

ENCLOSURE TYPE 2 (IP20). OR RAINPROOF TYPE 3R (IP22) WHEN PROVIDED SHIELD 9T18Y1071G06

SUITABLE FOR NONSINUSOIDAL CURRENT LOAD WITH K-FACTOR NOT TO EXCEED 4

BEFORE HANDLING, INSTALLING AND OPERATING, SEE INSTRUCTION 475A667AAP001

ALUMINUM CONDUCTOR

PRIMARY: 10 KV BIL

SECONDARY: 10 KV BIL

Outline:

303B111GEUXP71A

Assembled in Mexico

X3 H3 X2 H2 X1 H1 X0

- - - - - -

Note: standard

IN ACCORDANCE WITH NEC SECTION 450-9, ALLOW AT LEAST SIX INCHES CLEARANCE FOR VENTILATION. CHECK ADDITIONAL NEC AND LOCAL CODE