



Transformer



1M0000000

X0
X1 H1
X1 H1
X2 H2
X2 H2
X3 H3
X3 H3

X0

X1 H1
X1 H1
X2 H2
X2 H2
X3 H3
X3 H3



2M0000000



3M0000000

Catalog Number
9T14A1001G33

Type **QL**

15.0 KVA 60 HZ 3 PH 3.5 % IMP

40 C AMB. 115 C RISE 220 C SYSTEM IS-19C

Note: Design is based on 15.00KVA & 115C Rise 3.5% Imp.

PRIMARY (H) 480 VOLTS (LINE-LINE)
SECONDARY (X) 208 VOLTS (LINE-LINE)
120 VOLTS (LINE-NEUTRAL)

ELECTROSTATIC GROUND SHIELD IN EACH PHASE

ENCLOSURE TYPE 2 (IP20). OR RAINPROOF TYPE 3R (IP22) WHEN PROVIDED SHIELD 9T18Y1071G06

SUITABLE FOR NONSINUSOIDAL CURRENT LOAD WITH K-FACTOR NOT TO EXCEED 4

BEFORE HANDLING, INSTALLING AND OPERATING, SEE INSTRUCTION 475A667AAP001

ALUMINUM CONDUCTOR

PRIMARY: 10 KV BIL

SECONDARY: 10 KV BIL

Outline:

303B111GEUXP71A

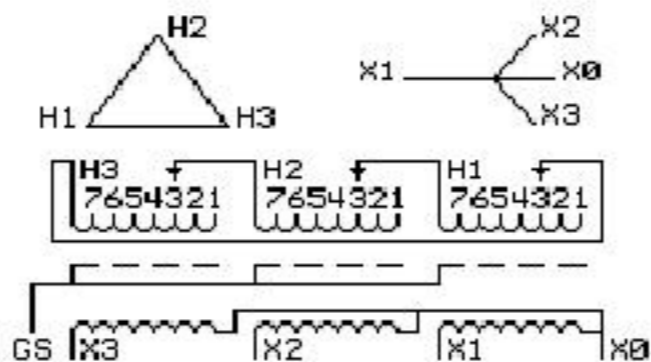
IN ACCORDANCE WITH NEC SECTION 450-9, ALLOW AT LEAST SIX INCHES

CLEARANCE FOR VENTILATION. CHECK ADDITIONAL NEC AND LOCAL CODE

GE Energy Industrial Solutions

NEMA CLASS AA DRY TYPE TRANSFORMER

Meets DOE 2016 efficiency



JUMPER CONNECTION	
TAP	VOLTS
1	504
2	493
3	480
4	468
5	455
6	445
7	432

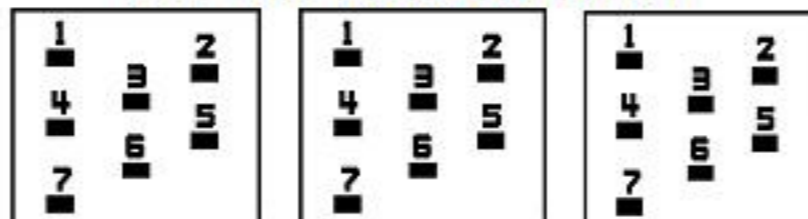
NET WGT
231 LB
104.8 Kg

53540
UX71A

NOG
021516

INSPECTION
&
FINAL TEST
N608!

COIL TAP ARRANGEMENT



Assembled in Mexico

X3 H3 X2 H2 X1 H1 X0

Note: standard

GE Energy Industrial Solutions

NEMA CLASS AA DRY TYPE TRANSFORMER

Meets DOE 2016 efficiency