



# Transformer



\*1M000000\*

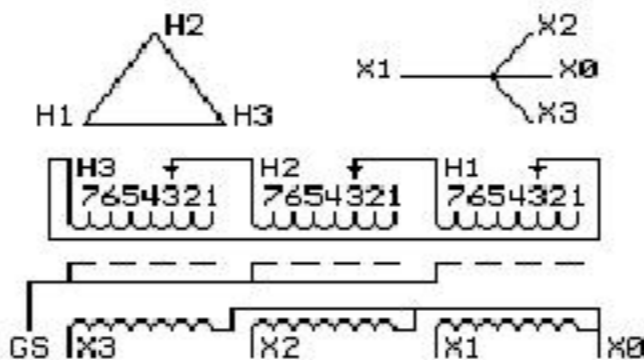
Catalog Number  
**9T14A1002G33**

Type **QL**

**30.0 KVA 60 HZ 3 PH 2.1 % IMP**

40 C AMB. 115 C RISE 220 C SYSTEM IS-19C

Note: Design is based on 45.00KVA & 115C Rise 3.1% Imp.



JUMPER CONNECTION	
TAP	VOLTS
1	504
2	490
3	480
4	467
5	457
6	444
7	434

NET WGT  
444 LB  
201.4 Kg

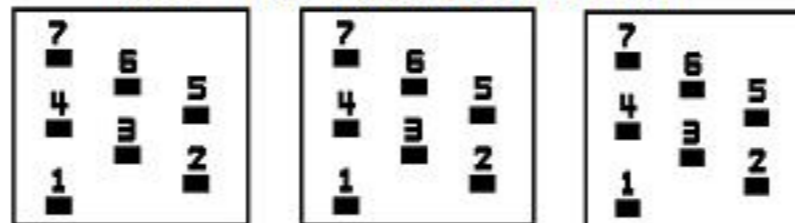
535E0  
UX73A

NOG  
021016

INSPECTION  
&  
FINAL TEST  
N607!

PRIMARY (H) 480 VOLTS (LINE-LINE)  
 SECONDARY (X) 208 VOLTS (LINE-LINE)  
 120 VOLTS (LINE-NEUTRAL)

### COIL TAP ARRANGEMENT



ELECTROSTATIC GROUND SHIELD IN EACH PHASE

ENCLOSURE TYPE 2 (IP20). OR RAINPROOF TYPE 3R (IP22) WHEN PROVIDED SHIELD 9T18Y1072G06

SUITABLE FOR NONSINUSOIDAL CURRENT LOAD WITH K-FACTOR NOT TO EXCEED 4

BEFORE HANDLING, INSTALLING AND OPERATING, SEE INSTRUCTION 475A667AAP001

ALUMINUM CONDUCTOR

PRIMARY: 10 KV BIL

SECONDARY: 10 KV BIL

Outline:

303B111GEUXP73A

Assembled in Mexico

**X3 H3 X2 H2 X1 H1 X0**

Note: standard

**IN ACCORDANCE WITH NEC SECTION 450-9, ALLOW AT LEAST SIX INCHES CLEARANCE FOR VENTILATION. CHECK ADDITIONAL NEC AND LOCAL CODE**

X0  
X1  
H1  
X1  
H1  
X1  
H1  
X2  
H2  
X2  
H2  
X2  
H2  
X3  
H3  
X3  
H3

X0

X1  
H1  
X1  
H1  
X1  
H1  
X2  
H2  
X2  
H2  
X2  
H2  
X3  
H3  
X3  
H3



\*2M000000\*



\*3M000000\*