



Transformer

—
by ABB



1M000000

Catalog Number **Type QL**

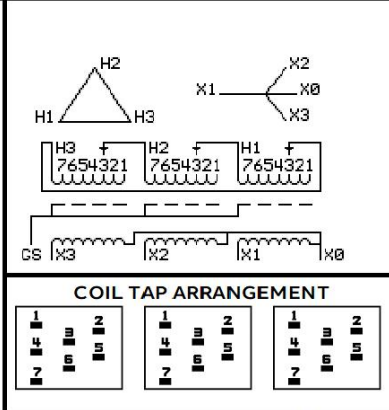
9T14A2402G33

30.0 KVA 60 HZ 3 PH 2 % IMP
40 C AMB. 115 C RISE 220 C SYSTEM IS-19C

JUMPER CONNECTION

TAP	VOLTS
1	630
2	614
3	600
4	584
5	570
6	554
7	540

PRIMARY (H) 600 VOLTS (LINE-LINE)
SECONDARY (X) 208 VOLTS (LINE-LINE)
 120 VOLTS (LINE-NEUTRAL)



NET WGT 444 LB	INSPECTION & FINAL TEST
201.4 Kg	NOG
88954	N137!
UX73A	091021



ELECTROSTATIC GROUND SHIELD IN EACH PHASE

ENCLOSURE TYPE 2 (IP20). OR RAINPROOF TYPE 3R (IP22) WHEN PROVIDED SHIELD 9T18Y1072G06
 SUITABLE FOR NONSINUSOIDAL CURRENT LOAD WITH K-FACTOR NOT TO EXCEED 4
 BEFORE HANDLING, INSTALLING AND OPERATING, SEE INSTRUCTION 475A667AAP001
 ALUMINUM CONDUCTOR PRIMARY: 10 KV BIL SECONDARY: 10 KV BIL
 IN ACCORDANCE WITH NEC SECTION 450-9, ALLOW AT LEAST SIX INCHES CLEARANCE FOR VENTILATION.
 CHECK ADDITIONAL NEC AND LOCAL CODE

ASSEMBLED IN MEXICO

X3	H3	X2	H2	X1	H1	X0
-	-	-	-	-	-	-

Note: **standard**

NEMA CLASS AA DRY TYPE TRANSFORMER

Meets DOE 2016 efficiency

Outline: 303B111GEUXP73A

X3	H3	X2	H2	X1	H1	X0
-	-	-	-	-	-	-
X3	H3	X2	H2	X1	H1	X0
-	-	-	-	-	-	-



2M000000



3M000000