



Transformer

Catalog Number

TYPE QL

9T23B3805

112.5 KVA 60 HZ

3 PH 5.3 % IMP

40 C AMB.

150 C RISE

220 C SYSTEM

IS-19C

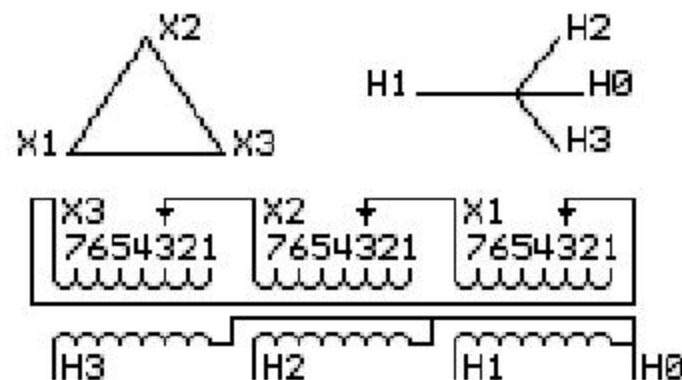
PRIMARY (X)

208 VOLTS (LINE-LINE)

SECONDARY (H)

480 VOLTS (LINE-LINE)

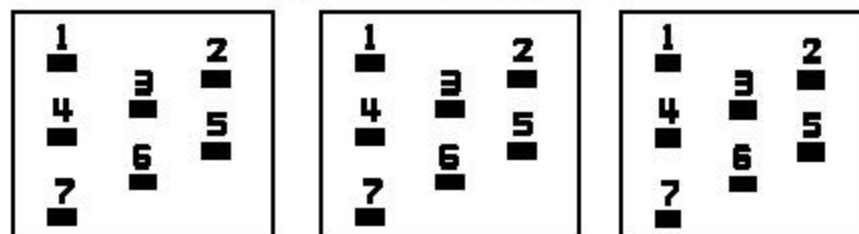
277 VOLTS (LINE-NEUTRAL)



JUMPER CONNECTION

TAP	VOLTS
1	220
2	214
3	208
4	202
5	196
6	191
7	185

COIL TAP ARRANGEMENT



LISTED 769G

ENCLOSURE TYPE 2 (IP30). RAINPROOF TYPE 3R ENCLOSURE (IP32) WHEN PROVIDED SHIELD 9T18Y4317G06

Outline: 303B900AAP009

INSPECTION &
FINAL TEST
N731&

BEFORE HANDLING, INSTALLING AND OPERATING, SEE INSTRUCTION 475A667AAP001

ALUMINUM CONDUCTOR

PRIMARY: 10 KV BIL

SECONDARY: 10 KV BIL

080107

IN ACCORDANCE WITH NEC SECTION 450-9, ALLOW AT LEAST SIX INCHES
CLEARANCE FOR VENTILATION. CHECK ADDITIONAL NEC AND LOCAL CODES.

NET WGT
650 LB

GE Consumer & Industrial

NEMA CLASS AA DRY TYPE TRANSFORMER

Meets TP-1 1996 efficiency

1094

Assembled in Mexico



1M000000



2M000000



2M000000