



# Transformer

Catalog Number

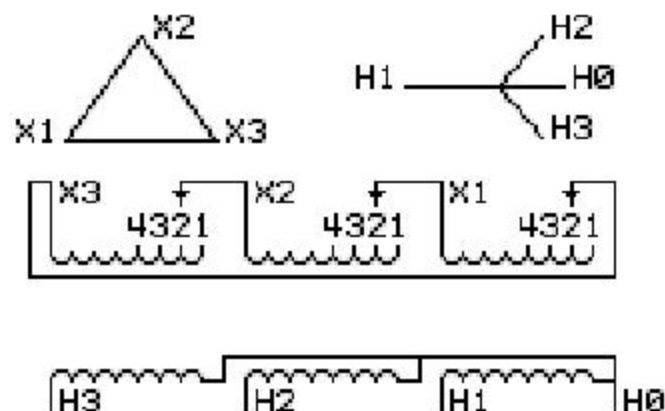
TYPE QL

## 9T23B3806

150.0 KVA 60 HZ 3 PH 6 % IMP

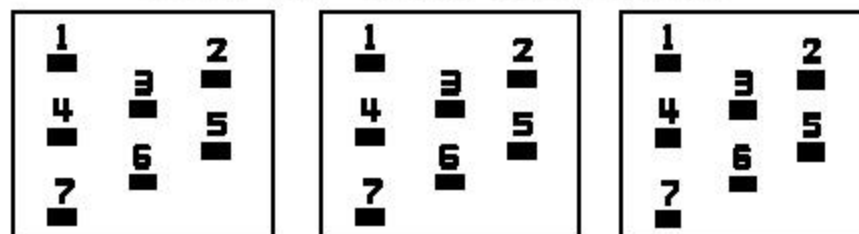
40 C AMB. 150 C RISE 220 C SYSTEM IS-19C

PRIMARY (X)	208 VOLTS (LINE-LINE)
SECONDARY (H)	480 VOLTS (LINE-LINE)
	277 VOLTS (LINE-NEUTRAL)



JUMPER CONNECTION	
TAP	VOLTS
1	220
2	208
3	195
4	189

### COIL TAP ARRANGEMENT



ENCLOSURE TYPE 2 (IP30). RAINPROOF TYPE 3R ENCLOSURE (IP32) WHEN PROVIDED SHIELD 9T18Y4317G07

Outline: 303B900AAP011

INSPECTION &  
FINAL TEST  
N731&

BEFORE HANDLING, INSTALLING AND OPERATING, SEE INSTRUCTION 475A667AAP001  
ALUMINUM CONDUCTOR PRIMARY: 10 KV BIL SECONDARY: 10 KV BIL

IN ACCORDANCE WITH NEC SECTION 450-9, ALLOW AT LEAST SIX INCHES  
CLEARANCE FOR VENTILATION. CHECK ADDITIONAL NEC AND LOCAL CODES.

080107

NET WGT  
875 LB

GE Consumer & Industrial

NEMA CLASS AA DRY TYPE TRANSFORMER

Meets TP-1 1996 efficiency

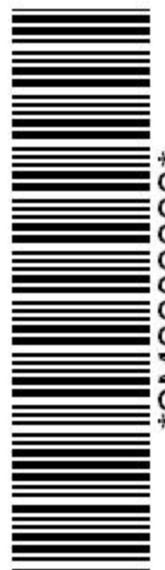
Assembled in Mexico 1370



\*1M000000\*



\*2M000000\*



\*2M000000\*