



# Transformer



\*1M000000\*

**Catalog Number**  
**9T61B3004G03**

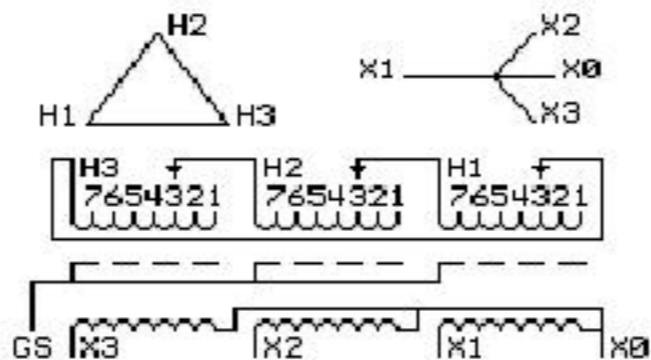
**Type** QL

**75.0 KVA    60 HZ    3 PH 4.9 % IMP**

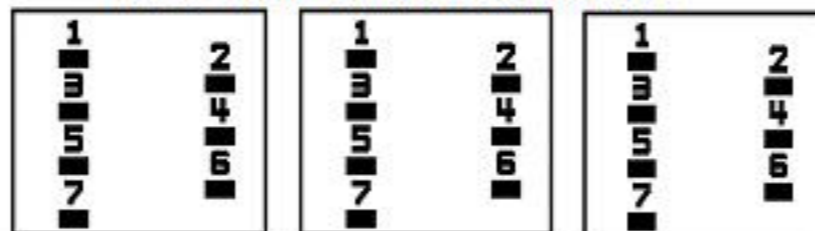
40 C AMB.    150 C RISE    220 C SYSTEM    IS-19C

PRIMARY (H)    440 VOLTS (LINE-LINE)  
SECONDARY (X)    220 VOLTS (LINE-LINE)  
                          127 VOLTS (LINE-NEUTRAL)

ELECTROSTATIC GROUND SHIELD IN EACH PHASE



### COIL TAP ARRANGEMENT



JUMPER CONNECTION	
TAP	VOLTS
1	463
2	449
3	440
4	431
5	417
6	408
7	395

NET WGT  
765 LB  
347.0 Kg

54984  
XV375  
NOG  
072115

INSPECTION  
&  
FINAL TEST  
N530!



LISTED 769G

Assembled in Mexico

X3 - X2 - X1 - -  
- H3 - H2 - H1

Note: X0 Terminal at the bottom

ENCLOSURE TYPE 2 (IP30). RAINPROOF TYPE 3R ENCLOSURE (IP32) WHEN PROVIDED SHIELD 9T18Y4317G06

SUITABLE FOR NONSINUSOIDAL CURRENT LOAD WITH K-FACTOR NOT TO EXCEED 13

BEFORE HANDLING, INSTALLING AND OPERATING, SEE INSTRUCTION 475A667AAP001

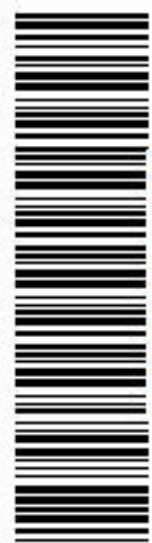
Outline: 303B401AAP075

ALUMINUM CONDUCTOR    PRIMARY: 10 KV BIL    SECONDARY: 10 KV BIL

**IN ACCORDANCE WITH NEC SECTION 450-9, ALLOW AT LEAST SIX INCHES  
CLEARANCE FOR VENTILATION. CHECK ADDITIONAL NEC AND LOCAL CODES.**



\*2M000000\*



\*3M000000\*

X1 - -  
X2 - -  
X3 - -  
H3 - H2 - H1  
X1 - -  
X2 - -  
X3 - -  
H3 - H2 - H1  
X0