



# Transformer



\*1M000000\*

Catalog Number **9Q3A045AFAA13A2T00** Type QL  
9T61B3093G03

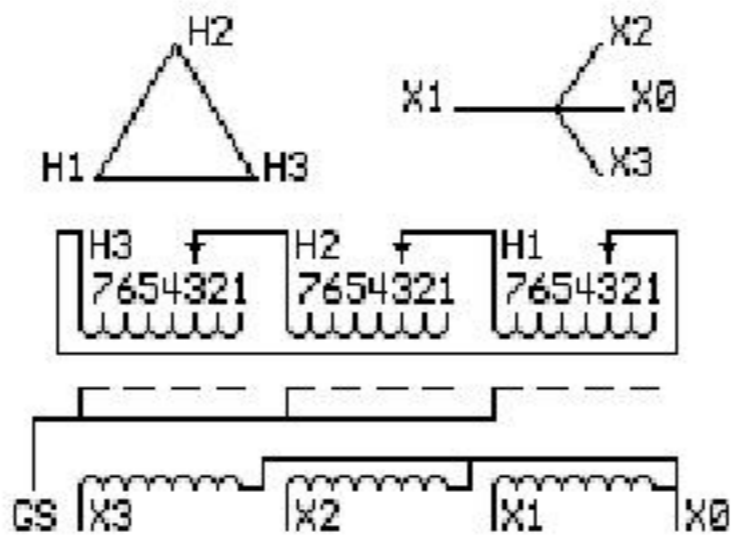
**45.0 KVA 60 HZ 3 PH 4% IMP**

40 C AMB. 150 C RISE 220 C SYSTEM IS-19C

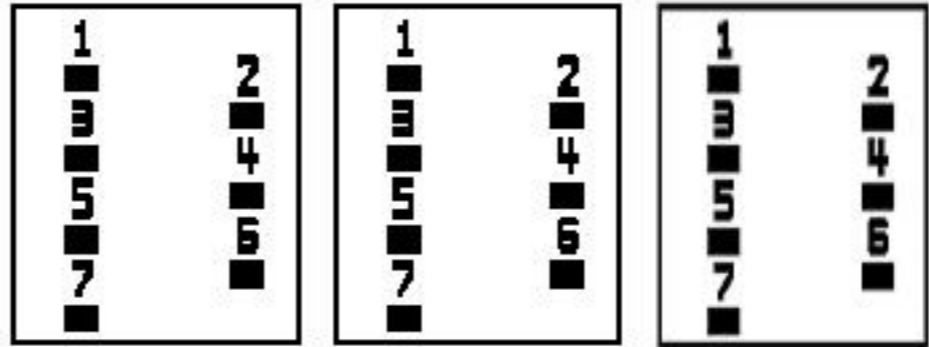
Note: Design is based on 75.00KVA & 150C Rise 6.6% Imp.

PRIMARY (H) 208 VOLTS (LINE-LINE)  
SECONDARY (X) 208 VOLTS (LINE-LINE)  
120 VOLTS (LINE-NEUTRAL)

ELECTROSTATIC GROUND SHIELD IN EACH PHASE



### COIL TAP ARRANGEMENT



JUMPER CONNECTION	
TAP	VOLTS
1	218
2	215
3	208
4	204
5	197
6	193
7	186

NET WGT  
620 LB  
281.2 Kg

55566  
XU374  
NOG  
092415

INSPECTION  
&  
FINAL TEST  
N539!



LISTED 769G

Assembled in Mexico

ENCLOSURE TYPE 2 (IP30). RAINPROOF TYPE 3R ENCLOSURE (IP32) WHEN PROVIDED SHIELD 9T18Y4317G06  
SUITABLE FOR NONSINUSOIDAL CURRENT LOAD WITH K-FACTOR NOT TO EXCEED 13  
BEFORE HANDLING, INSTALLING AND OPERATING, SEE INSTRUCTION 475A667AAP001 Outline: 303B401AAP074  
ALUMINUM CONDUCTOR PRIMARY: 10 KV BIL SECONDARY: 10 KV BIL

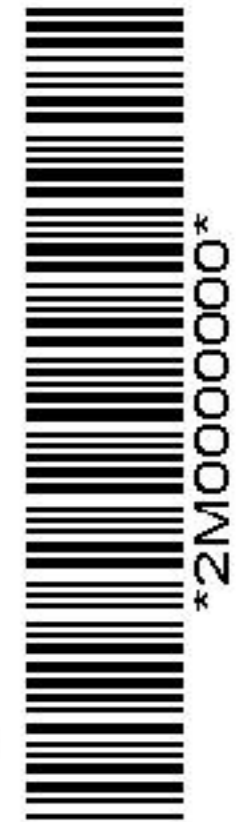
IN ACCORDANCE WITH NEC SECTION 450-9, ALLOW AT LEAST SIX INCHES CLEARANCE FOR VENTILATION. CHECK ADDITIONAL NEC AND LOCAL CODES.

X3 - X2 - X1 - -  
- H3 - H2 - H1

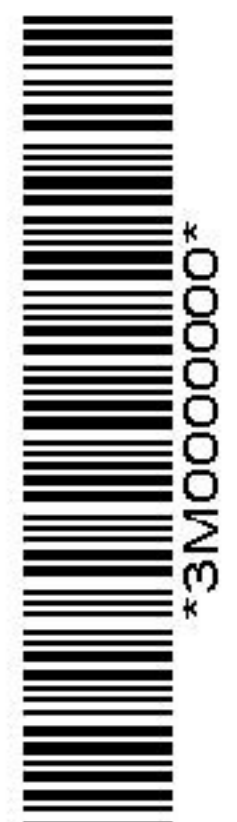
Note: X0 Terminal at the bottom

X1 - - H1  
X2 - - H2  
X3 - - H3  
X1 - - H1  
X2 - - H2  
X3 - - H3

X0



\*2M000000\*



\*3M000000\*