



Transformer



1M000000

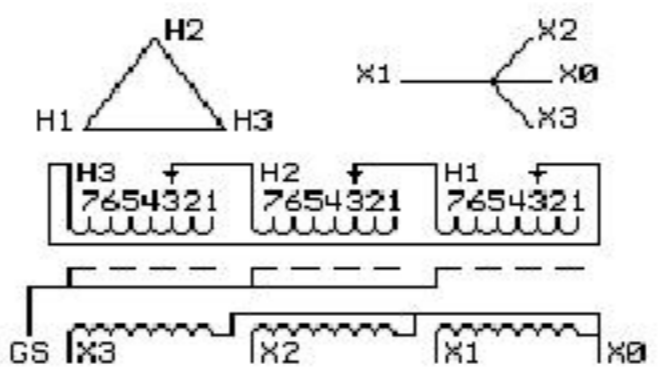
Catalog Number
9T61B3143G13

Type QL

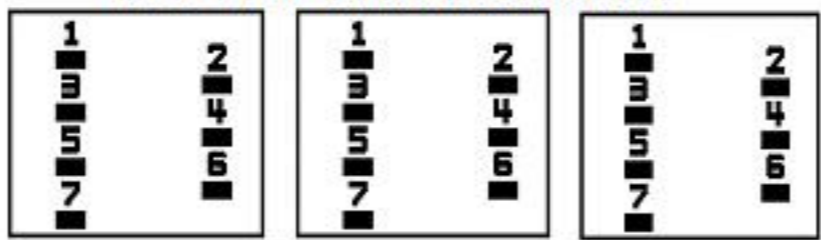
45.0 KVA 60 HZ 3 PH 3.8 % IMP

40 C AMB. 115 C RISE 220 C SYSTEM IS-19C

Note: Design is based on 75.00KVA & 150C Rise 6.3% Imp.



COIL TAP ARRANGEMENT



DWEST2 150.000480C
+2,-4 2.50%)
208Y/120

TRANSFORMER
ENERGY-NOG H0

NET WGT
620 LB
281.2 Kg

55668
XV374
NOG
092115

INSPECTION
&
FINAL TEST
N539!

520



LISTED 769G

Assembled in Mexico

X3 - X2 - X1 - -
- H3 - H2 - H1

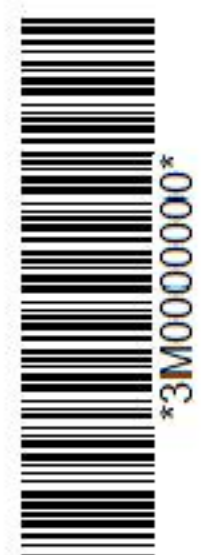
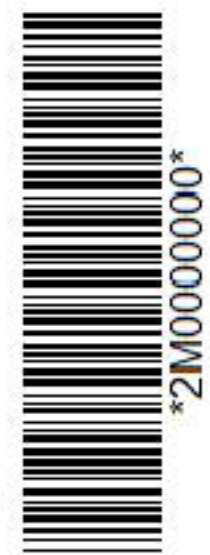
Note: X0 Terminal at the bottom

9T10W1006G339T10W1006G33
150921AM1 303B112MWDXP76AYNNN 40150
220IS-19COL 3 60AL101034Y150.0 3.7 12
50 480C+2,-4 2.5
ELECTROSTATIC GROUND SHIELD IN EACH PHASE

ENCLOSURE TYPE 2 (IP30). RAINPROOF TYPE 3R ENCLOSURE (IP32) WHEN PROVIDED SHIELD 9T18Y4317G06
SUITABLE FOR NONSINUSOIDAL CURRENT LOAD WITH K-FACTOR NOT TO EXCEED 13
BEFORE HANDLING, INSTALLING AND OPERATING, SEE INSTRUCTION 475A667AAP001 Outline: 303B401AAP074
ALUMINUM CONDUCTOR PRIMARY: 10 KV BIL SECONDARY: 10 KV BIL

IN ACCORDANCE WITH NEC SECTION 450-9, ALLOW AT LEAST SIX INCHES
CLEARANCE FOR VENTILATION. CHECK ADDITIONAL NEC AND LOCAL CODES.

X1 -
X2 - H3 - H2 - H1
X3 - X2 - X1 -
H3 - H2 - H1



X0