



# Transformer



\*1M000000\*

Catalog Number **9Q3A011AAAZ13A2N00** Type **QL**

**9T61B3380G03**

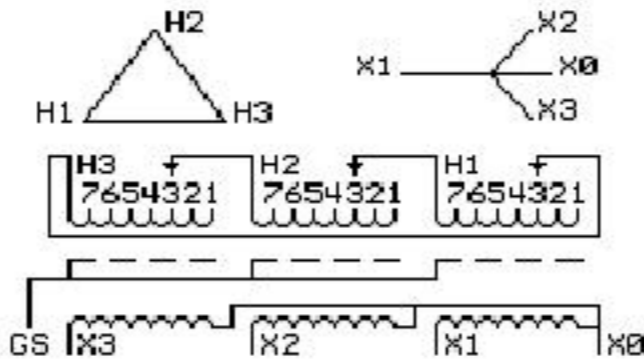
**11.0 KVA 60 HZ 3 PH 4.3 % IMP**

40 C AMB. 150 C RISE 220 C SYSTEM IS-19C

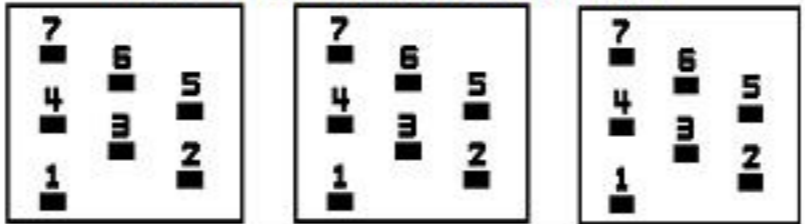
Note: Design is based on 15.00KVA & 150C Rise 5.9% Imp.

PRIMARY (H) 480 VOLTS (LINE-LINE)  
SECONDARY (X) 220 VOLTS (LINE-LINE)  
127 VOLTS (LINE-NEUTRAL)

ELECTROSTATIC GROUND SHIELD IN EACH PHASE



### COIL TAP ARRANGEMENT



JUMPER CONNECTION TAP	VOLTS
1	503
2	492
3	480
4	468
5	457
6	445
7	434

NET WGT  
240 LB  
108.9 Kg

54405  
XV371  
NOG  
071615

INSPECTION & FINAL TEST N529!



LISTED 769G

Assembled in Mexico

X3 - X2 - X1 - X0  
- H3 - H2 - H1

Note: Standard

ENCLOSURE TYPE 2 (IP30). RAINPROOF TYPE 3R ENCLOSURE (IP32) WHEN PROVIDED SHIELD 9T18Y4317G11  
SUITABLE FOR NONSINUSOIDAL CURRENT LOAD WITH K-FACTOR NOT TO EXCEED 13  
BEFORE HANDLING, INSTALLING AND OPERATING, SEE INSTRUCTION 475A667AAP001 Outline: 303B401AAP071  
ALUMINUM CONDUCTOR PRIMARY: 10 KV BIL SECONDARY: 10 KV BIL

IN ACCORDANCE WITH NEC SECTION 450-9, ALLOW AT LEAST SIX INCHES CLEARANCE FOR VENTILATION. CHECK ADDITIONAL NEC AND LOCAL CODES.

X0  
-  
X1  
-  
X2  
-  
X3

- H1  
- H2  
- H3

X0  
-  
X1  
-  
X2  
-  
X3

- H1  
- H2  
- H3



\*2M000000\*



\*3M000000\*