



# Transformer



\*1M000000\*

**Catalog Number**                      **Type QL**

**9Q3A045AAAZ13A2T00**

**9T61B3383G03**

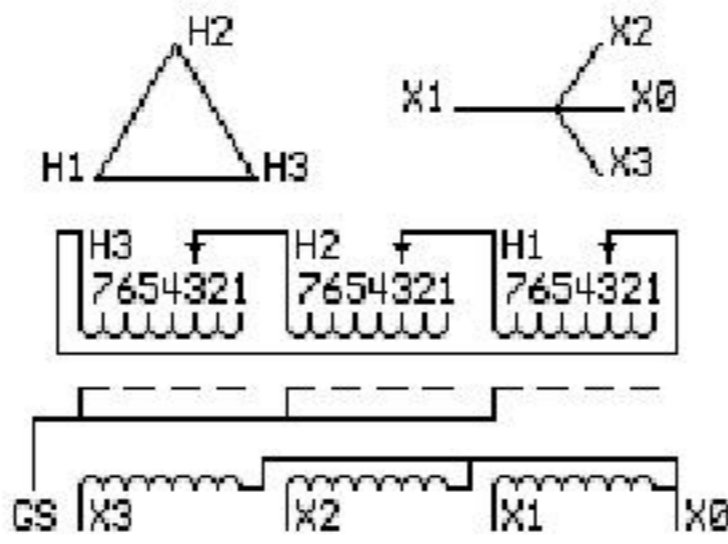
**45.0 KVA    60 HZ    3 PH 3.4 % IMP**

**40 C AMB.    150 C RISE    220 C SYSTEM    IS-19C**

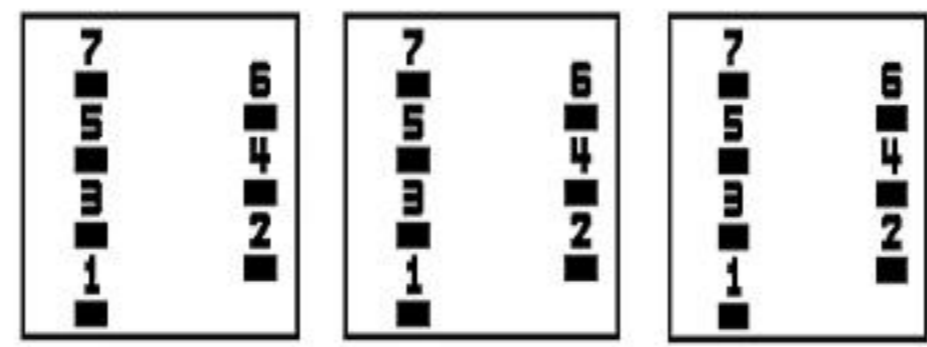
*Note: Design is based on 75.00KVA & 150C Rise 5.7% Imp.*

**PRIMARY (H)    480 VOLTS (LINE-LINE)**  
**SECONDARY (X)    220 VOLTS (LINE-LINE)**  
**127 VOLTS (LINE-NEUTRAL)**

ELECTROSTATIC GROUND SHIELD IN EACH PHASE



### COIL TAP ARRANGEMENT



JUMPER CONNECTION	
TAP	VOLTS
1	504
2	493
3	480
4	470
5	454
6	443
7	431

**NET WGT**  
620 LB  
281.2 Kg

55591  
XU374  
NOG  
092415

**INSPECTION & FINAL TEST N539!**



LISTED 769G

Assembled in Mexico

**ENCLOSURE TYPE 2 (IP30). RAINPROOF TYPE 3R ENCLOSURE (IP32) WHEN PROVIDED SHIELD 9T18Y4317G06**

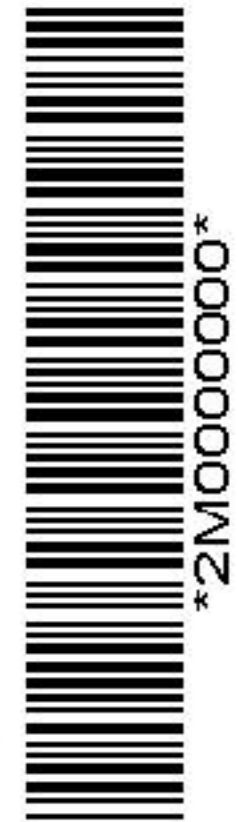
**SUITABLE FOR NONSINUSOIDAL CURRENT LOAD WITH K-FACTOR NOT TO EXCEED 13**  
**BEFORE HANDLING, INSTALLING AND OPERATING, SEE INSTRUCTION 475A667AAP001      Outline: 303B401AAP074**  
**ALUMINUM CONDUCTOR      PRIMARY: 10 KV BIL      SECONDARY: 10 KV BIL**

**IN ACCORDANCE WITH NEC SECTION 450-9, ALLOW AT LEAST SIX INCHES CLEARANCE FOR VENTILATION. CHECK ADDITIONAL NEC AND LOCAL CODES.**

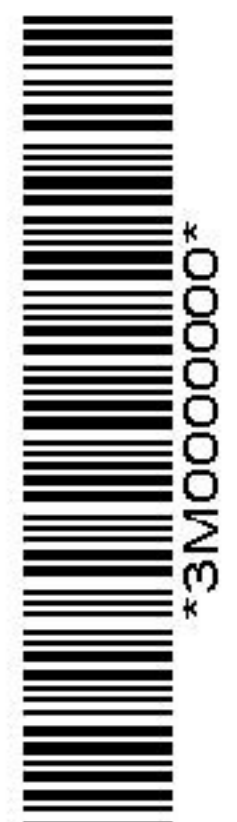
**X3 - X2 - X1 - -**  
**- H3 - H2 - H1**

Note: X0 Terminal at the bottom

X1 - - H1  
X2 - - H2  
X3 - - H3  
X1 - - H1  
X2 - - H2  
X3 - - H3



\*2M000000\*



\*3M000000\*

X0