



# Transformer



\*1M000000\*

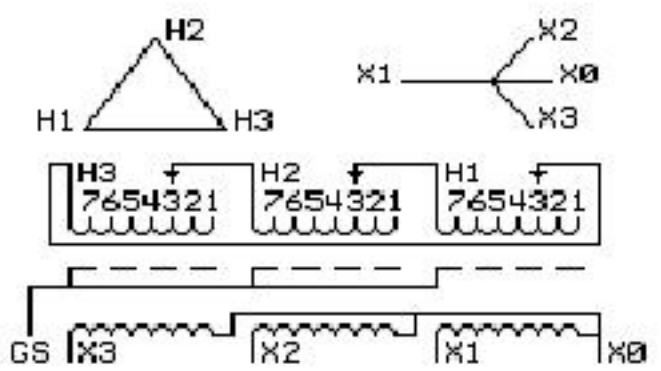
Catalog Number **Type QL**

**9Q3A011AAAA13C2N00**  
**9T61B3870G83**

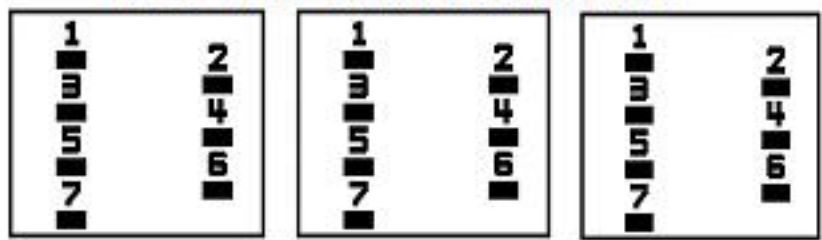
**11.0 KVA 60 HZ 3 PH 3.9 % IMP**

40 C AMB. 80 C RISE 220 C SYSTEM IS-19C

Note: Design is based on 15.00KVA & 150C Rise 5.8% Imp.



### COIL TAP ARRANGEMENT



NSALEØ 11.000480C  
+2,-4 2.50%)  
2Ø8Y/12Ø

Ø911  
N N9T18Y4317G11T  
TRANSFORMER N  
ON-SIN K=13HØ  
Ø ASB5

NET WGT  
240 LB  
108.9 Kg

57765  
XV371  
NOG  
092215

INSPECTION  
&  
FINAL TEST  
N539!

52Ø



LISTED 769G

Assembled in Mexico

**X3 - X2 - X1 - X0**

**- H3 - H2 - H1**

Note: Standard

9T61B3870G139T61B3870G13  
15Ø922KKE 3Ø3B4Ø1AAPØ71 YNNN 4Ø115  
22ØIS-19CØL 3 6ØAL1ØØ15ØY11.ØØ 4 24  
Ø 265 48Ø(+2,-4 2.5  
ELECTROSTATIC GROUND SHIELD IN EACH PHASE

ENCLOSURE TYPE 2 (IP30). RAINPROOF TYPE 3R ENCLOSURE (IP32) WHEN PROVIDED SHIELD 9T18Y4317G11  
SUITABLE FOR NONSINUSOIDAL CURRENT LOAD WITH K-FACTOR NOT TO EXCEED 13  
BEFORE HANDLING, INSTALLING AND OPERATING, SEE INSTRUCTION 475A667AAPØØ1 Outline: 3Ø3B4Ø1AAPØ71  
ALUMINUM CONDUCTOR PRIMARY: 10 KV BIL SECONDARY: 10 KV BIL

**IN ACCORDANCE WITH NEC SECTION 450-9, ALLOW AT LEAST SIX INCHES  
CLEARANCE FOR VENTILATION. CHECK ADDITIONAL NEC AND LOCAL CODES.**

X0

X1 -

X2 -

X3 -

- H3 - H2 - H1

X0

X1 -

X2 -

X3 -

- H3 - H2 - H1



\*2M000000\*



\*3M000000\*